

# Product Catalog

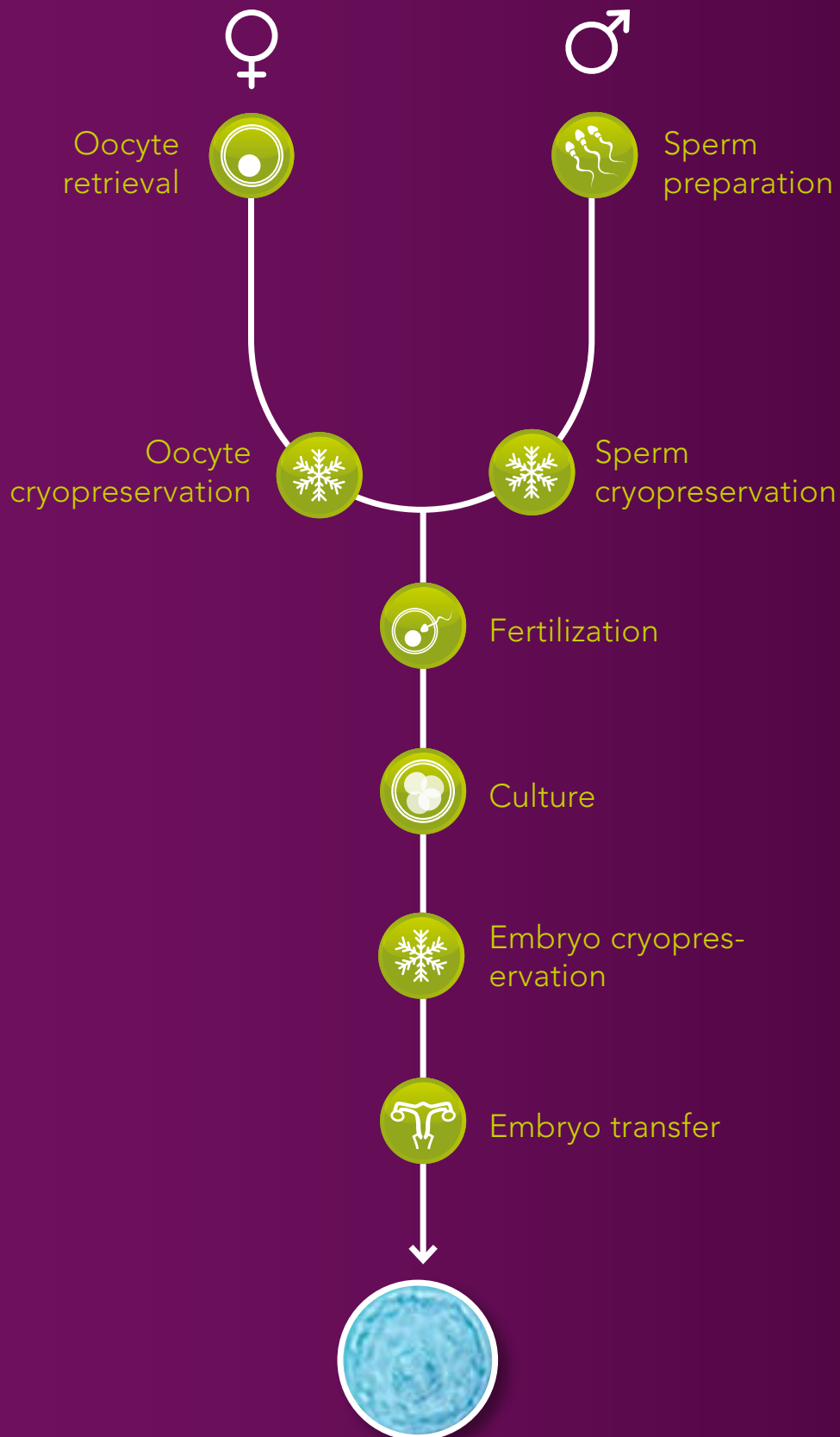


origio

a CooperSurgical Company

# Our Vision

To make the #1 dream of every infertile couple come true





## Andrology & IUI

|                            |       |
|----------------------------|-------|
| Sperm Preparation Medium   | p. 6  |
| SupraSperm™                | p. 7  |
| SpermSlow™                 | p. 8  |
| PVP Clinical Grade         | p. 9  |
| PVP Medium                 | p. 10 |
| HBA® slide                 | p. 11 |
| PICSI® for Sperm Selection | p. 12 |
| Makler® Chamber            | p. 13 |
| IUI catheters              | p. 14 |



## Oocyte retrieval

|                               |       |
|-------------------------------|-------|
| SynVibro™ Flush               | p. 16 |
| Flushing Medium               | p. 17 |
| Single & Double Lumen Needles | p. 18 |



## Fertilization

|                      |       |
|----------------------|-------|
| Universal IVF Medium | p. 22 |
| ICSI Cumulase®       | p. 23 |
| SynVibro™ Hyadase    | p. 24 |
| ICSI Micropipets     | p. 25 |
| Holding Micropipets  | p. 28 |
| Denuding Micropipets | p. 30 |
| The STRIPPER®        | p. 31 |



## Culture

|                              |       |
|------------------------------|-------|
| ORIGIO® Sequential Series™   | p. 34 |
| EmbryoGen® & BlastGen™       | p. 35 |
| Liquid Paraffin              | p. 36 |
| Acidified Tyrodes Solution   | p. 37 |
| Biopsy Medium                | p. 38 |
| MediCult™ IVM System         | p. 39 |
| Assisted Hatching Micropipet | p. 40 |
| PZD Micropipets              | p. 41 |
| Biopsy Micropipets           | p. 42 |
| Pasteur Pipets               | p. 46 |



## Cryopreservation

|                                 |       |
|---------------------------------|-------|
| CryoSperm™                      | p. 48 |
| Sperm Freezing Medium           | p. 49 |
| Embryo Freezing Pack            | p. 50 |
| Embryo Thawing Pack             | p. 51 |
| BlastFreeze™                    | p. 52 |
| BlastThaw™                      | p. 53 |
| MediCult™ Vitrification Cooling | p. 54 |
| MediCult™ Vitrification Warming | p. 55 |
| Cryopette®                      | p. 56 |
| McGill Cryoleaf™                | p. 57 |



## Embryo transfer

|                                    |       |
|------------------------------------|-------|
| UTM™                               | p. 60 |
| Transem Embryo Transfer Catheters  | p. 61 |
| EchoGen™ Embryo Transfer Catheters | p. 62 |

## Equipment

|   |       |
|---|-------|
| Suction Pump                                | p. 64 |
| Heated Trolley HT37                         | p. 65 |
| Warming Plates WP37                         | p. 66 |
| Titan-IVF Workstation                       | p. 67 |
| Fortuna-IVF Workstation                     | p. 68 |
| Mars-IVF Class II Biosafety Workstation     | p. 70 |
| Heated Glass Stage HG37                     | p. 72 |
| LED Light Source                            | p. 73 |
| Microscopes and Micromanipulators           | p. 74 |
| Warming blocks and Glass incubator hoods    | p. 75 |
| LAF Hoods                                   | p. 78 |
| Anti Vibration Table                        | p. 80 |
| Computer Assisted Semen Analysis: IVOS® II  | p. 81 |
| Computer Assisted Semen Analysis: CEROS™ II | p. 82 |
| ORIGIO / PLANER Benchtop Incubator BT37     | p. 83 |
| ORIGIO® Gas Line Filter                     | p. 85 |
| Gas analyzer                                | p. 86 |
| Scanfuge Centrifuges                        | p. 87 |
| LYKOS™ Laser                                | p. 89 |
| ZILOS-tk® Laser                             | p. 90 |
| Matcher®                                    | p. 91 |

## SAGE™

|                           |        |
|---------------------------|--------|
| SAGE 1-Step™              | p. 94  |
| Quinn's Advantage™        |        |
| Sequential Culture Media  | p. 95  |
| In Vitro Maturation Media | p. 96  |
| Protein                   | p. 98  |
| Cryopreservation Media    | p. 99  |
| Micromanipulation Media   | p. 103 |
| Andrology Media           | p. 106 |

## Research Tools:

|             |        |
|-------------|--------|
| Piezo Drill | p. 109 |
|-------------|--------|

## Contacts

|  |        |
|--|--------|
|  | p. 110 |
|--|--------|

## Index

|  |        |
|--|--------|
|  | p. 114 |
|--|--------|

## Training & Education

|  |        |
|--|--------|
|  | p. 115 |
|--|--------|



## Our Values

# A

### Aspiration

With our focus on the future, we are committed to improve IVF through innovation, to consistently provide high quality products and services, to attract and retain the top talent, to take on new challenges, and to anticipate and embrace change.

# R

### Reliability

You can depend on us to provide the best products, tailor-made services and timely, relevant information. Issues are dealt with openly, fearlessly and fairly, every time.

# C

### Care

How we handle our business from the supply of vital products, to our interactions with colleagues, customers and stakeholders, and ultimately to the lives our products help create.



# Andrology & IUI

## ART Media

- Sperm Preparation Medium p. 6
- SupraSperm™ p. 7
- SpermSlow™ p. 8
- PVP Clinical Grade p. 9
- PVP Medium p. 10

## Cell handling microtools & other ART devices

- HBA® slide p. 11
- PICSI® for Sperm Selection p. 12
- Makler® Chamber p. 13

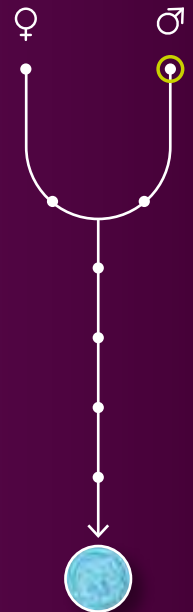
## Needles & Catheters

- IUI catheters p. 14

## ORIGIO Training Lab

p.115

Please contact your local ORIGIO sales representative for more information on how you could benefit from ORIGIO's training and education offer.



## How to choose andrology products

|                                  | Sperm Preparation Medium | SupraSperm™ | PVP Clinical Grade | PVP Medium | HBA® slide | PICSI® dish | SpermSlow™ |
|----------------------------------|--------------------------|-------------|--------------------|------------|------------|-------------|------------|
| Diagnostic                       |                          |             |                    |            | ✓          |             |            |
| Swim-up method                   | ✓                        |             |                    |            |            |             |            |
| Washing of sperm                 | ✓                        |             |                    |            |            |             |            |
| Density gradient method          |                          | ✓           |                    |            |            |             |            |
| Immobilisation of spermatozoa    |                          |             | ✓                  | ✓          |            | ✓           | ✓          |
| Selection of matured spermatozoa |                          |             |                    |            |            | ✓           | ✓          |

# Sperm Preparation Medium



For washing of spermatozoa and isolation of motile viable spermatozoa by the swim-up method.

- Designed for use inside and outside the incubator
- With or without pH indicator



## Composition

- Albumin (Human, HSA)
- Calcium Chloride
- Gentamicin Sulphate
- Glucose
- HEPES
- Magnesium Sulfate
- Milli RX Water
- Phenol Red (1070 only)
- Potassium Chloride
- Sodium Bicarbonate
- Sodium Chloride
- Sodium Phosphate
- Sodium Pyruvate
- SSR™ (Synthetic Serum Replacement)

| Ref. No. | Description                                 | Size     | Shelf life guarantee* |
|----------|---|----------|-----------------------|
| 10702010 | Sperm Preparation Medium with phenol red    | 2x10 ml  | Min. 8 weeks          |
| 10701010 | Sperm Preparation Medium with phenol red    | 10x10 ml | Min. 8 weeks          |
| 10700060 | Sperm Preparation Medium with phenol red    | 60 ml    | Min. 8 weeks          |
| 10705060 | Sperm Preparation Medium with phenol red    | 5x60 ml  | Min. 8 weeks          |
| 10691010 | Sperm Preparation Medium without phenol red | 10x10 ml | Min. 8 weeks          |
| 10690060 | Sperm Preparation Medium without phenol red | 60 ml    | Min. 8 weeks          |
| 10695060 | Sperm Preparation Medium without phenol red | 5x60 ml  | Min. 8 weeks          |

## Quality control testing

- Sterility tested (Ph. Eur., USP)
- Osmolality tested (Ph. Eur., USP)
- pH tested (Ph. Eur., USP)
- Endotoxin tested  $\leq 0.1$  EU/ml (Ph. Eur., USP)
- Sperm survival test

## Regulatory

- CE marked (CE 0543)
- Cleared by the FDA
- Canada Medical Device licensed
- Australia Medical Device licensed

\* Minimum time to expiry (from date of shipment from Denmark)



For isolation of viable spermatozoa by the density gradient method.

- Suspension of colloidal silica particles coated with silane
- Full flexibility with stock solutions and ready to use system
- 100% and 55/80% system available



## Composition

- Calcium Chloride
- Glucose
- HEPES
- Magnesium Sulfate
- Milli RX Water
- Potassium Chloride
- Potassium Phosphate, monobasic
- Salt sol. of silane coated silica particles
- Sodium Bicarbonate
- Sodium Chloride
- Sodium Lactate
- Sodium Pyruvate

1092 only:

- Albumin (Human, HSA)
- Gentamicin Sulphate
- Phenol Red
- Sodium Phosphate
- SSR™ (Synthetic Serum Replacement)

1097 only:

- EDTA

## Quality control testing

- Sterility tested (Ph. Eur., USP)
- Osmolality tested (Ph. Eur., USP)
- pH tested (Ph. Eur., USP)
- Endotoxin tested ≤ 0.1 EU/ml (Ph. Eur., USP)
- Sperm survival test

## Regulatory

- CE marked (CE 0543)
- Cleared by the FDA
- Canada Medical Device licensed
- Australia Medical Device licensed

| Ref. No. | Description  | Size    | Shelf life guarantee* |
|----------|--|---------|-----------------------|
| 10970060 | SupraSperm™ 100<br>100% solution for custom gradient preparation | 60 ml   | Min. 52 weeks         |
| 10972060 | SupraSperm™ 100<br>100% solution for custom gradient preparation | 2x60 ml | Min. 52 weeks         |
| 10970500 | SupraSperm™ 100<br>100% solution for custom gradient preparation | 500 ml  | Min. 52 weeks         |
| 10922010 | SupraSperm™ System<br>55% + 80% gradients                        | 2x10 ml | Min. 8 weeks          |
| 10922060 | SupraSperm™ System<br>55% + 80% gradients                        | 2x60 ml | Min. 8 weeks          |

\* Minimum time to expiry (from date of shipment from Denmark)



For sperm immobilization and the selection of mature sperm for ICSI through hyaluronic acid binding.

- Natural and biodegradable alternative to PVP
- One step immobilization and selection of mature sperm for ICSI
- Improved embryo quality and development
- Approaching “physiological” ICSI



| Ref. No. | Description | Size     | Shelf life guarantee* |
|----------|-------------|----------|-----------------------|
| 10944000 | SpermSlow™  | 4x0.1 ml | Min. 12 weeks         |

## Composition

- Adenine · Alanine
- Albumin (Human, HSA) · Arginine
- Ascorbic Acid · Asparagine
- Aspartic Acid · Calcium Chloride
- Calcium Lactate · Calcium Pantotheate
- Cholesterol · Choline Chloride
- Cysteine · Cytosine · D-Biotin
- Disodium Hydrogen Phosphate
- Folic Acid · Gentamicin Sulphate
- Glutamic Acid · Glucose · Glutamine
- Glycine · Guanine · Histidine
- Sodium Hyaluronate · Hydrochlorid Acid
- Hypotaurine · Inositol · Isoleucine
- Leucine · L-Malic Acid · Lysine
- Magnesium Sulfate · Milli RX Water
- Methionine · Phenylalanine
- Potassium Chloride
- Potassium Phosphate
- Sodium Bicarbonate · Proline
- Pyridoxine · Riboflavin
- Human Insulin Recombinant · Serine
- Sodium Acetate · Sodium Citrate
- Sodium Chloride · Sodium Phosphate
- Sodium Pyruvate · Taurine · Thiamine
- Threonine · Thymine
- Tri Sodiumcitrate Dihydrate · Tryptophan
- Tyrosine · Uracile · Valine · Vitamin B12

## Quality control testing

- Sterility tested (Ph. Eur., USP)
- Endotoxin tested ≤ 0.1 EU/ml (Ph. Eur., USP)
- Sperm survival tested

## Regulatory

- CE marked (CE 0543)
- Cleared by the FDA
- Canada Medical Device licensed
- Australia Medical Device licensed

\* Minimum time to expiry (from date of shipment from Denmark)



# PVP Clinical Grade



For slowing down the movement of the spermatozoa for ICSI.

- 10% PVP concentration for easy sperm immobilization
- Ready to use



## Composition

- Albumin (Human, HSA)
- Calcium Chloride
- Gentamicin Sulphate
- Glucose
- HEPES
- Magnesium Sulfate
- Milli RX Water
- Potassium Chloride
- PVP (polyvinylpyrrolidone)
- Sodium Bicarbonate
- Sodium Chloride
- Sodium Phosphate
- Sodium Pyruvate
- SSR™ (Synthetic Serum Replacement)

## Quality control testing

- Sterility tested (Ph. Eur., USP)
- Osmolality tested (Ph. Eur., USP)
- Endotoxin tested  $\leq 0.2$  EU/ml (Ph. Eur., USP)
- Sperm survival tested
- Sperm immobilization tested

## Regulatory

- CE marked (CE 0543)
- Cleared by the FDA
- Canada Medical Device licensed
- Australia Medical Device licensed

| Ref. No. | Description                            | Size     | Shelf life guarantee* |
|----------|--|----------|-----------------------|
| 10905000 | PVP Clinical Grade, without phenol red | 5x0.2 ml | Min. 8 weeks          |

\* Minimum time to expiry (from date of shipment from Denmark)

# PVP Medium



For slowing down the movement of the spermatozoa for ICSI.

- 10% PVP concentration for easy sperm immobilization
- Ready to use
- Contains phenol red



## Composition

- Albumin (Human, HSA)
- Calcium Chloride
- Gentamicin Sulphate
- Glucose
- HEPES
- Magnesium Sulfate
- Milli RX Water
- Phenol Red
- Potassium Chloride
- PVP (polyvinylpyrrolidone)
- Sodium Bicarbonate
- Sodium Chloride
- Sodium Phosphate
- Sodium Pyruvate
- SSR™ (Synthetic Serum Replacement)

| Ref. No. | Description                 | Size | Shelf life guarantee* |
|----------|-----------------------------|------|-----------------------|
| 10890001 | PVP Medium, with phenol red | 1 ml | Min. 8 weeks          |

## Quality control testing

- Sterility tested (Ph. Eur., USP)
- Osmolality tested (Ph. Eur., USP)
- Endotoxin tested  $\leq 0.2$  EU/ml (Ph. Eur., USP)
- Sperm survival tested
- Sperm immobilization tested

## Regulatory

- CE marked (CE 0543)
- Cleared by the FDA
- Canada Medical Device licensed

\* Minimum time to expiry (from date of shipment from Denmark)



The HBA<sup>®</sup> slide is designed to provide a qualitative assessment of sperm quality, maturity, and fertilizing potential.

- The HBA slide is coated with hyaluronan for a physiologically relevant sperm assessment
- The HBA provides a simple and objective assessment of sperm quality, maturity and structural integrity within minutes
- Correlates with fertility outcomes and morphology assessments

## Regulatory

- CE marked
- Cleared by the FDA



| Ref. No. | Description |
|----------|-------------|
|----------|-------------|

|            |                      |
|------------|----------------------|
| BCT-HBA-10 | Package of 10 assays |
|------------|----------------------|

# The PICSI® for Sperm Selection



The PICSI® dish is based on the documented fact that only mature and structually sound sperm will bind to hyaluronic acid.

A significantly reduced Pregnancy Loss Rate (PLR) is found in patients with a low HBA score ( $\leq 65\%$  mature sperm in sample) and where the sperm subsequently is selected using the PICSI® dish.

- The sterile PICSI® dish utilizes a conventional polystyrene culture dish enhanced with 3 microdots of hyaluronan
- Sperm is added to the dot of hyaluronan and within minutes the mature sperm are attached by their acrosome to the surface of the dot
- An ICSI microtool is used to select the bound sperm for ICSI
- Selecting a bound sperm ensures that the sperm selected is mature and has high DNA integrity

## Quality control testing

- Irradiated for sterility
- Endotoxin Tested

## Regulatory

- CE marked (CE 0086)
- Cleared by the FDA



| Ref. No. | Description |
|----------|-------------|
|----------|-------------|

|                     |  |
|---------------------|--|
| <b>BCT-PICSI-20</b> | 20 PICSI® dishes, individually packaged, sterile |
|---------------------|--|

# Makler<sup>®</sup> Chamber



For rapid semen analysis.

- Sperm count performed with an undiluted specimen makes chamber easy to use
- Delivers fast results measuring concentration in millions/mL without additional calculations
- Optimal depth of 10 microns eliminates blurring and allows the applied sample to be observed in one focal plane



| Ref. No. | Description                               |
|----------|---|
| 010001   | Makler Chamber without gridded coverglass |
| 010002   | Coverglass with Grid                      |

# Artificial insemination catheters (IUI)



Designed with your patient in mind.

- Ergonomically designed handle for greater control
- Available in 3 different lengths
- Available with both single, side and end eyelet options



## Quality control testing

- LAL, SST

## Regulatory

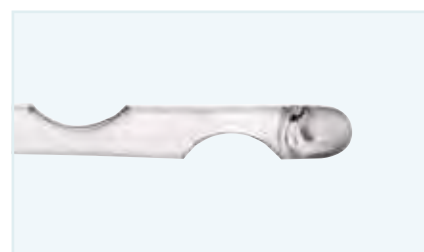
- CE marked (CE 0543)

## Composition

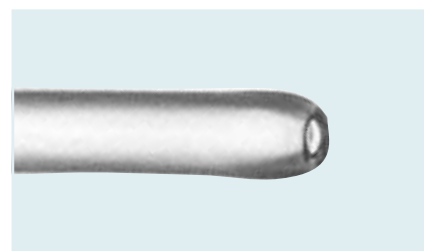
- Polyethylene
- Polypropylene
- Polyvinylchloride



Single eyelet



Side Eyelets



End Eyelet available both as stiff (INCA175-O) and soft (INCA175-OS).

| Ref. No.   | Opening Description | Catheter Length (mm) | Sheath Length (mm) | Inner Catheter ID (mm) | Inner Catheter OD (mm) | Outer Sheath OD (mm) | Volume of Catheter* | Volume per cm of Catheter |
|------------|---------------------|----------------------|--------------------|------------------------|------------------------|----------------------|---------------------|---------------------------|
| INCA175    | 2 Side Eyelets      | 175                  | 135                | 1.5                    | 1.9                    | 2.52                 | 0.309               | 0.018                     |
| INCA175-O  | End Eyelet          | 175                  | 135                | 1.5                    | 1.9                    | 2.52                 | 0.309               | 0.018                     |
| INCA175-OS | End Eyelet          | 175                  | 135                | 0.7                    | 2.0                    | 2.52                 | 0.067               | 0.004                     |
| INCA140    | Side Eyelet         | 140                  | 100                | 0.7                    | 2.0                    | 2.52                 | 0.054               | 0.004                     |
| INCA060    | Side Eyelet         | 60                   | -                  | 0.7                    | 2.0                    | -                    | 0.023               | 0.004                     |

\*(not including hub)



# Oocyte retrieval

## ART Media

- SynVibro™ Flush p. 16
- Flushing Medium p. 17

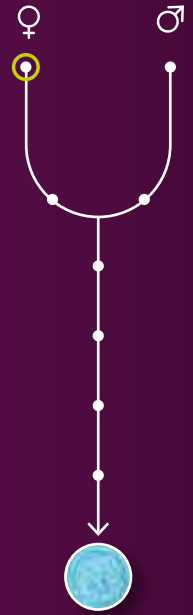
## Needles & Catheters Equipment

- Single & Double Lumen Needles p. 18
- Suction Pump p. 66
- Heated Trolley p. 67
- Tube Warmer p. 68
- Warming Plates p. 69

## ORIGIO Training Lab

p.115

Please contact your local ORIGIO sales representative for more information on how you could benefit from ORIGIO's training and education offer.



ORIGIO's comprehensive solution to oocyte retrieval





For retrieval, holding and washing of oocytes.

- Fully synthetic medium, without albumin or antibiotics
- Equal performance - without the risks
- Available with and without Heparin



## Composition

- Calcium Chloride
- Glucose
- Heparin (1576 only)
- HEPES
- Magnesium Sulfate
- Milli RX Water
- Potassium Chloride
- Sodium Bicarbonate
- Sodium Chloride
- Sodium Phosphate
- Sodium Pyruvate
- SSR™ (Synthetic Serum Replacement)

| Ref. No. | Description                            | Size   | Shelf life guarantee* |
|----------|--|--------|-----------------------|
| 15760125 | SynVitro™ Flush, with 10 IU/ml Heparin | 125 ml | Min. 8 weeks          |
| 15840125 | SynVitro™ Flush, without Heparin       | 125 ml | Min. 8 weeks          |

## Quality control testing

- Sterility tested (Ph. Eur., USP)
- Osmolality tested (Ph. Eur., USP)
- pH tested (Ph. Eur., USP)
- Endotoxin tested  $\leq 0.1$  EU/ml (Ph. Eur., USP)
- Mouse Embryo Assay (MEA)

## Regulatory

- CE marked (CE 0543)
- Cleared by the FDA (1584 only)
- Canada Medical Device licensed
- Australia Medical Device licensed (1584 only)

\* Minimum time to expiry (from date of shipment from Denmark)



# Flushing Medium



For retrieval, holding and washing of oocytes.

- Flushing medium buffered for stability outside the incubator
- Ready to use
- Available with and without Heparin



## Composition

- Albumin (Human, HSA)
- Calcium Chloride
- Gentamicin Sulphate
- Glucose
- Heparin (1076 only)
- HEPES
- Magnesium Sulfate
- Milli RX Water
- Phenol Red
- Potassium Chloride
- Sodium Bicarbonate
- Sodium Chloride
- Sodium Phosphate
- Sodium Pyruvate
- SSR™ (Synthetic Serum Replacement)

| Ref. No. | Description                            | Size    | Shelf life guarantee* |
|----------|--|---------|-----------------------|
| 10765060 | Flushing medium, with 10 IU/ml Heparin | 5x60 ml | Min. 8 weeks          |
| 10760125 | Flushing medium, with 10 IU/ml Heparin | 125 ml  | Min. 8 weeks          |
| 10845060 | Flushing medium, without Heparin       | 5x60 ml | Min. 8 weeks          |
| 10840125 | Flushing medium, without Heparin       | 125 ml  | Min. 8 weeks          |

## Quality control testing

- Sterility tested (Ph. Eur., USP)
- Osmolality tested (Ph. Eur., USP)
- pH tested (Ph. Eur., USP)
- Endotoxin tested  $\leq 0.1$  EU/ml (Ph. Eur., USP)
- Mouse Embryo Assay (MEA)

## Regulatory

- CE marked (CE 0543)
- Cleared by the FDA (1084 only)
- Canada Medical Device licensed
- Australia Medical Device licensed (1084 only)

\* Minimum time to expiry (from date of shipment from Denmark)

# Single & Double Lumen Needles



Retrieval needles for ultra-sound guided transvaginal aspiration and flushing of oocytes from ovarian follicles.

- Greater sharpness, accuracy & visibility
- Choice of needle stiffness levels & stopcock valve option for flushing
- Complete system: Suction Pump, tubing sets, filters

## Quality control testing

- MEA, LAL

## Regulatory

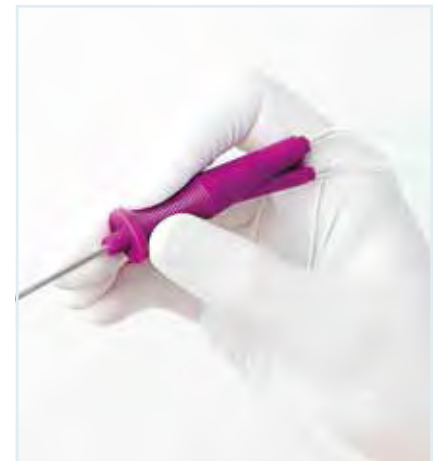
- CE marked (CE 0543)
- Australia Medical Device licensed

## Composition

- Steel
- Polyethylene
- Silicone



Single lumen handle



Double lumen handle



Single lumen needle (thin or regular wall type) with triple ground tip for added sharpness, with smooth touch echo markings



Triple cut to prevent excessive coring and bleeding



Single lumen needle (stiff wall type) for greater control during procedure



Echo marking for greater visibility under ultrasound



"True" double lumen needle (regular wall type) where inner needle comes right to the tip of the outer



Echo marked to tip for improved accuracy of needle placement



Stopcock valve for flushing on single lumen needles ref. no. ending with: M, N, and B



Purple Luer lock connects to the vacuum pump system on double lumen needles



| Ref. No.                                      | Description                    | Gauge (Ø) | Needle Diameter OD (mm) | Needle Length (cm) | Aspiration tube (cm) | Suction tube (cm) | Stopcock  |
|---|--------------------------------|-----------|-------------------------|--------------------|----------------------|-------------------|-----------|
| <b>Single lumen: thin wall type needle</b>    |                                |           |                         |                    |                      |                   |           |
| SL1603011                                     | OocyteRS16G N30-A100-S100      | 16        | 1.6                     | 30                 | 100                  | 100               | No        |
| SL1603014                                     | OocyteRS16G N30-A100-S040      | 16        | 1.6                     | 30                 | 100                  | 40                | No        |
| SL1703011                                     | OocyteRS17G N30-A100-S100      | 17        | 1.5                     | 30                 | 100                  | 100               | No        |
| SL1703014                                     | OocyteRS17G N30-A100-S040      | 17        | 1.5                     | 30                 | 100                  | 40                | No        |
| SL1703011M                                    | OocyteRS17G N30-A100-S100M     | 17        | 1.5                     | 30                 | 100                  | 100               | In middle |
| <b>Single lumen: regular wall type needle</b> |                                |           |                         |                    |                      |                   |           |
| SL1753011                                     | OocyteRS175G N30-A100-S100     | 17        | 1.4                     | 30                 | 100                  | 100               | No        |
| SL1753014                                     | OocyteRS175G N30-A100-S040     | 17        | 1.4                     | 30                 | 100                  | 40                | No        |
| SL1853011                                     | OocyteRS185G N30-A100-S100     | 18        | 1.2                     | 30                 | 100                  | 100               | No        |
| SL1703011M                                    | OocyteRSS17G N30-A100-S100M    | 17        | 1.5                     | 30                 | 100                  | 100               | In middle |
| SL1753011B                                    | OocyteRSS175G N30-A100-S100B   | 17        | 1.4                     | 30                 | 100                  | 100               | At bung   |
| <b>Single lumen: stiff wall type needle</b>   |                                |           |                         |                    |                      |                   |           |
| SL1603011S                                    | OocyteRS16G N30-A100-S100      | 16        | 1.64                    | 30                 | 100                  | 100               | No        |
| SL1603014S                                    | OocyteRS16G N30-A100-S040      | 16        | 1.64                    | 30                 | 100                  | 40                | No        |
| SL1603014LS                                   | OocyteRS16G N30-A100-S040L*    | 16        | 1.64                    | 30                 | 100                  | 40                | No        |
| SL1603064S                                    | OocyteRS16G N30-A060-S040      | 16        | 1.64                    | 30                 | 60                   | 40                | No        |
| SL1603044S                                    | OocyteRS16G N30-A040-S040      | 16        | 1.64                    | 30                 | 40                   | 40                | No        |
| SL1703011S                                    | OocyteRS17G N30-A100-S100      | 17        | 1.47                    | 30                 | 100                  | 100               | No        |
| SL1703014S                                    | OocyteRS17G N30-A100-S040      | 17        | 1.47                    | 30                 | 100                  | 40                | No        |
| SL1703064S                                    | OocyteRS17G N30-A060-S040      | 17        | 1.47                    | 30                 | 60                   | 40                | No        |
| SL1703044S                                    | OocyteRS17G N30-A040-S040      | 17        | 1.47                    | 30                 | 40                   | 40                | No        |
| SL1703011MS                                   | OocyteRS17G N30-A100-S100M     | 17        | 1.47                    | 30                 | 100                  | 100               | In middle |
| SL1703011NS                                   | OocyteRS17G N30-A100-S100NS    | 17        | 1.47                    | 30                 | 100                  | 100               | At needle |
| SL1703014NS                                   | OocyteRS17G N30-A100-S040NS    | 17        | 1.47                    | 30                 | 100                  | 40                | At needle |
| SL1703011BS                                   | OocyteRS17G N30-A100-S100BS    | 17        | 1.47                    | 30                 | 100                  | 100               | At bung   |
| SL1703014BS                                   | OocyteRS17G N30-A100-S040BS    | 17        | 1.47                    | 30                 | 100                  | 40                | At bung   |
| <b>Double lumen: regular wall type needle</b> |                                |           |                         |                    |                      |                   |           |
| DL16035111                                    | OocyteRD16G N35-A100-S100-F100 | 16        | 1.6                     | 35                 | 100                  | 100               | 100       |

\* "L" (larger bung) fits 26 mm Ø test tubes, all other needle sets have a bung that fits 14 mm & 15 mm Ø test tubes.

# Single & Double Lumen Needles



## Ref. No. Description

### Disposable vacuum tubes: 3 different luer lock connections available

**VTS200MM** Vacuum tube 200 cm MM (male/male)

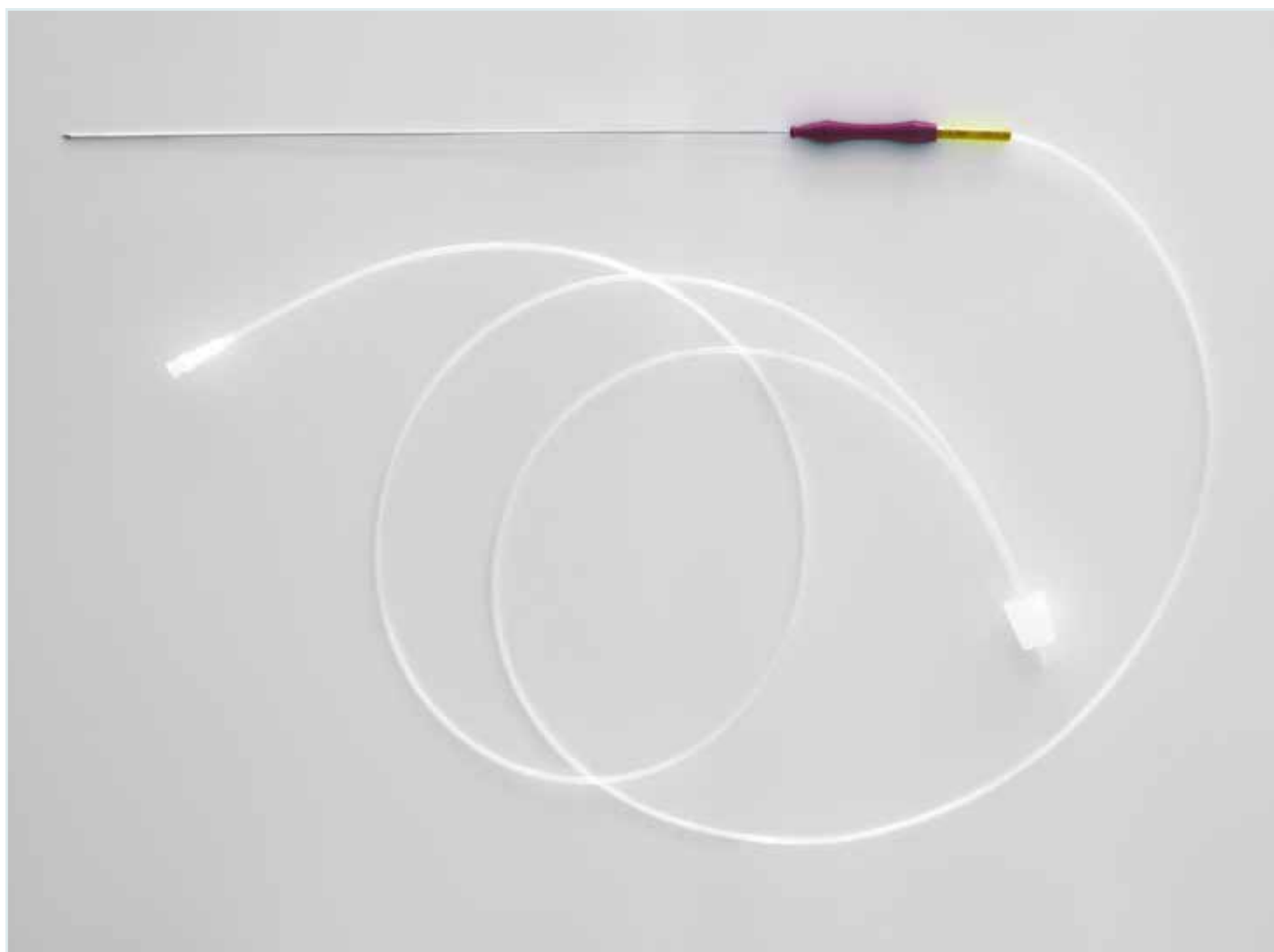
**VTS200MF** Vacuum tube 200 cm MF (male/female)

**VTS200FF** Vacuum tube 200 cm FF (female/female)



200 cm disposable vacuum tube used with ORIGIO vacuum pump and needle sets with a 40 cm suction line equals a working distance of 240 cm.

See the Equipment section for our clinical equipment: Suction Pump, Heated Trolley and Warming Plates.





# Fertilization

## ART Media

- Universal IVF Medium p. 22
- ORIGIO® Sequential Fert™ p. 34
- ICSI Cumulase® p. 23
- SynVITRO™ Hyadase p. 24

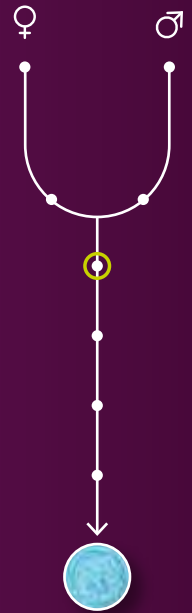
## Cell handling microtools & other ART devices

- ICSI Micropipets p. 25
- Holding Micropipets p. 28
- Denuding Micropipets p. 30
- The STRIPPER® p. 31

## ORIGIO Training Lab

p.115

Please contact your local ORIGIO sales representative for more information on how you could benefit from ORIGIO's training and education offer.



## How to choose fertilization media

A single step medium? ORIGIO also offers SAGE 1-Step™ see p.94

|                            | ORIGIO® Sequential Fert™ | Universal IVF Medium | ICSI Cumulase® | SynVITRO™ Hyadase |
|----------------------------|--------------------------|----------------------|----------------|-------------------|
| Fertilization              | ✓                        | ✓                    |                |                   |
| Removal of cumulus complex |                          |                      | ✓              | ✓                 |

# Universal IVF Medium



For fertilization and culture until 2-8 cell stage.  
Can also be used for embryo transfer.

- High glucose medium for fertilization
- Consistent, high fertilization rates for more than a decade
- Supporting sperm metabolism



## Composition

- Albumin (Human, HSA)
- Calcium Chloride
- Gentamicin Sulphate
- Glucose
- Magnesium Sulfate
- Milli RX Water
- Phenol Red (1031 only)
- Potassium Chloride
- Sodium Bicarbonate
- Sodium Chloride
- Sodium Phosphate
- Sodium Pyruvate
- SSR™ (Synthetic Serum Replacement)

## Quality control testing

- Sterility tested (Ph. Eur., USP)
- Osmolality tested (Ph. Eur., USP)
- pH tested (Ph. Eur., USP)
- Endotoxin tested  $\leq 0.1$  EU/ml (Ph. Eur., USP)
- Mouse Embryo Assay (MEA)

## Regulatory

- CE marked (CE 0543)
- Cleared by the FDA
- Canada Medical Device licensed
- Australia Medical Device licensed

| Ref. No. | Description                              | Size     | Shelf life guarantee* |
|----------|--|----------|-----------------------|
| 10311010 | Universal IVF Medium, with phenol red    | 10x10 ml | Min. 8 weeks          |
| 10310060 | Universal IVF Medium, with phenol red    | 60 ml    | Min. 8 weeks          |
| 10315060 | Universal IVF Medium, with phenol red    | 5x60 ml  | Min. 8 weeks          |
| 10301010 | Universal IVF Medium, without phenol red | 10x10 ml | Min. 8 weeks          |
| 10300060 | Universal IVF Medium, without phenol red | 60 ml    | Min. 8 weeks          |
| 10305060 | Universal IVF Medium, without phenol red | 5x60 ml  | Min. 8 weeks          |

\* Minimum time to expiry (from date of shipment from Denmark)



ICSI Cumulase® for the removal of the cumulus complex and corona radiata surrounding the oocyte in preparation for ICSI.

- Recombinant human hyaluronidase
- Improved purity and safety
- Human hyaluronidase for human oocytes



## Composition

- Albumin (Human, HSA)
- Calcium Chloride
- Cumulase®
- Glucose
- HEPES
- Magnesium Sulfate
- Milli RX Water
- Potassium Chloride
- Pyruvic Acid Sodium Salt
- Sodium Chloride
- Sodium Phosphate
- Sodium Pyruvate

## Quality control testing

- Sterility tested (Ph.Eur., USP)
- Osmolality tested (Ph.Eur., USP)
- pH tested (Ph.Eur., USP)
- Endotoxin tested ≤ 0.1 EU/ml (Ph.Eur., USP)
- Mouse Embryo Assay (MEA)
- Enzyme activity 40-120 U/ml

## Regulatory

- CE marked (CE 0543)
- Cleared by the FDA
- Canada Medical Device licensed

| Ref. No. | Description    | Size     | Shelf life guarantee* |
|----------|----------------|----------|-----------------------|
| 16125000 | ICSI Cumulase® | 5x0.5 ml | Min. 12 weeks         |

\* Minimum time to expiry (from date of shipment from Denmark)



SynVidro™ Hyadase for the removal of the cumulus complex and corona radiata surrounding the oocyte in preparation for ICSI.

- Ready to use
- Hyaluronidase raw material of ovine origin



## Composition

- Calcium Chloride
- Glucose
- HEPES
- Hyadase
- Magnesium Sulfate
- Milli RX Water
- Potassium Chloride
- Potassium Bicarbonate
- Sodium Chloride
- Sodium Phosphate
- Sodium Pyruvate
- SSR™ (Synthetic Serum Replacement)

| Ref. No. | Description       | Size   | Shelf life guarantee* |
|----------|-------------------|--------|-----------------------|
| 15115001 | SynVidro™ Hyadase | 5x1 ml | Min. 8 weeks          |

## Quality control testing

- Sterility tested (Ph.Eur., USP)
- Osmolality tested (Ph.Eur., USP)
- pH tested (Ph.Eur., USP)
- Endotoxin tested  $\leq 0.1$  EU/ml (Ph.Eur., USP)
- Mouse Embryo Assay (MEA)

## Regulatory

- CE pending
- Cleared by the FDA
- Canada Medical Device licensed
- Australia Medical Device licensed

\* Minimum time to expiry (from date of shipment from Denmark)



# ICSI Micropipets



ICSI (Intracytoplasmic Sperm Injection) micropipets are used to aspirate and inject the sperm cell directly into the oocyte.

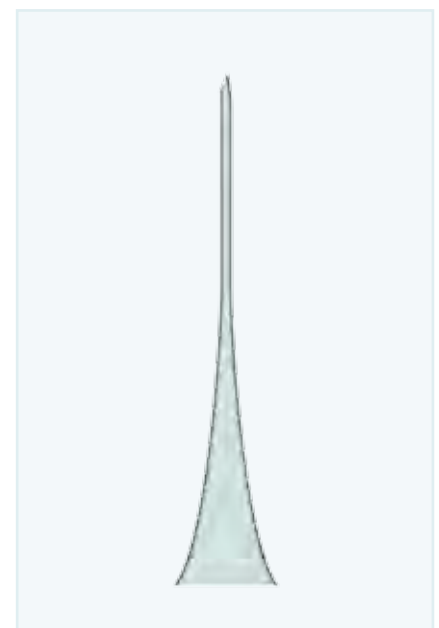
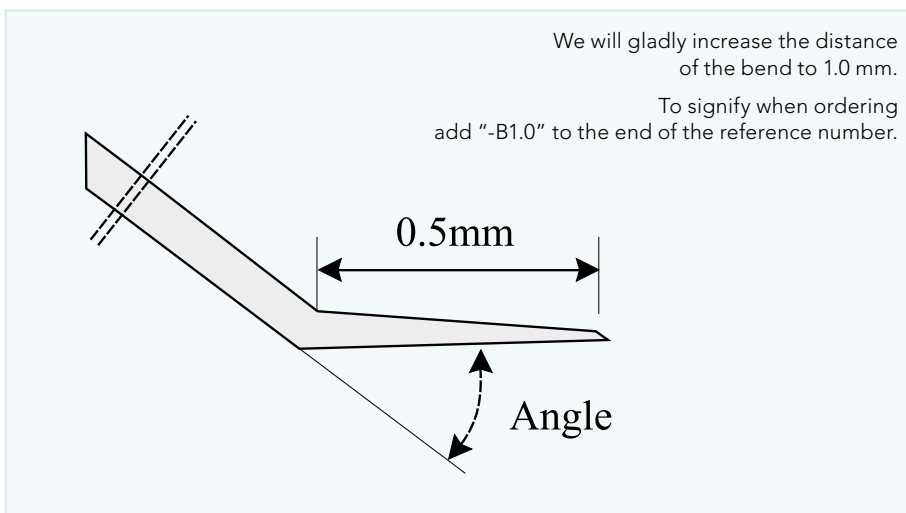
- Large selection of standard ICSI products to fit user preferences, including angle choices
- Offer numerous customizations upon request
- Available option: increase distance from bend to tip to 1.0mm.
- Highly specialized software and production equipment ensures consistency and accuracy of each pipet

## Regulatory

- CE marked (CE 0086)
- Cleared by the FDA
- Canada Medical Device licensed
- Australia Medical Device licensed



Standard ICSI taper



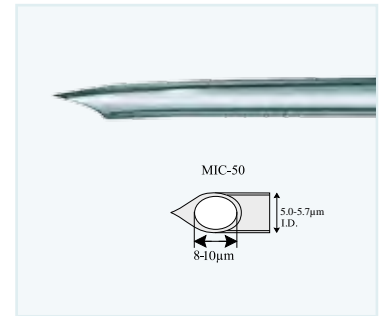
ICSI SlimLine taper



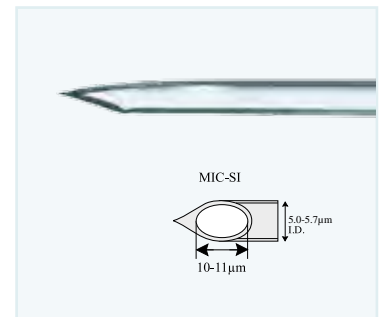
| Ref. No. | Description | Bevel length | I.D. |
|----------|-------------|--------------|------|
|----------|-------------|--------------|------|

## ICSI Micropipets with Spike (10 per box)

|           |                 |        |           |
|-----------|-----------------|--------|-----------|
| MIC-50-0  | Straight ICSI   | 8-10µm | 5.0-5.7µm |
| MIC-50-15 | 15° angled ICSI | 8-10µm | 5.0-5.7µm |
| MIC-50-20 | 20° angled ICSI | 8-10µm | 5.0-5.7µm |
| MIC-50-25 | 25° angled ICSI | 8-10µm | 5.0-5.7µm |
| MIC-50-30 | 30° angled ICSI | 8-10µm | 5.0-5.7µm |
| MIC-50-35 | 35° angled ICSI | 8-10µm | 5.0-5.7µm |
| MIC-50-40 | 40° angled ICSI | 8-10µm | 5.0-5.7µm |
| MIC-50-45 | 45° angled ICSI | 8-10µm | 5.0-5.7µm |



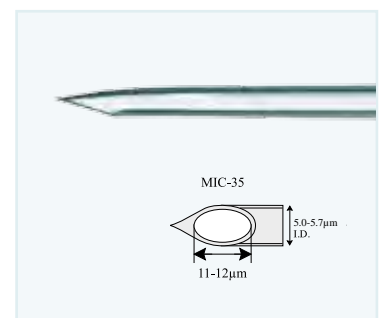
|           |                 |         |           |
|-----------|-----------------|---------|-----------|
| MIC-SI-0  | Straight ICSI   | 10-11µm | 5.0-5.7µm |
| MIC-SI-15 | 15° angled ICSI | 10-11µm | 5.0-5.7µm |
| MIC-SI-20 | 20° angled ICSI | 10-11µm | 5.0-5.7µm |
| MIC-SI-25 | 25° angled ICSI | 10-11µm | 5.0-5.7µm |
| MIC-SI-30 | 30° angled ICSI | 10-11µm | 5.0-5.7µm |
| MIC-SI-35 | 35° angled ICSI | 10-11µm | 5.0-5.7µm |
| MIC-SI-40 | 40° angled ICSI | 10-11µm | 5.0-5.7µm |
| MIC-SI-45 | 45° angled ICSI | 10-11µm | 5.0-5.7µm |



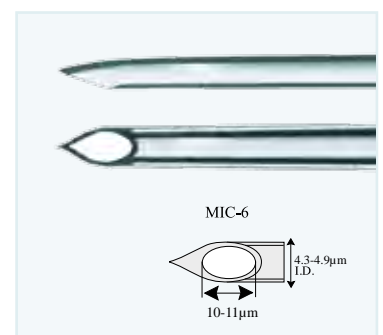
| Ref. No. | Description | Bevel length | I.D. |
|----------|-------------|--------------|------|
|----------|-------------|--------------|------|

## ICSI Micropipets with Spike (10 per box)

|           |                 |         |           |
|-----------|-----------------|---------|-----------|
| MIC-35-0  | Straight ICSI   | 11-12µm | 5.0-5.7µm |
| MIC-35-15 | 15° angled ICSI | 11-12µm | 5.0-5.7µm |
| MIC-35-20 | 20° angled ICSI | 11-12µm | 5.0-5.7µm |
| MIC-35-25 | 25° angled ICSI | 11-12µm | 5.0-5.7µm |
| MIC-35-30 | 30° angled ICSI | 11-12µm | 5.0-5.7µm |
| MIC-35-35 | 35° angled ICSI | 11-12µm | 5.0-5.7µm |
| MIC-35-40 | 40° angled ICSI | 11-12µm | 5.0-5.7µm |
| MIC-35-45 | 45° angled ICSI | 11-12µm | 5.0-5.7µm |

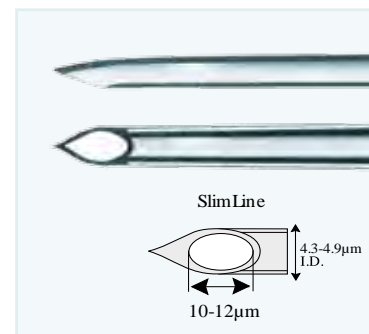


|          |                 |         |           |
|----------|-----------------|---------|-----------|
| MIC-6-0  | Straight ICSI   | 10-11µm | 4.3-4.9µm |
| MIC-6-15 | 15° angled ICSI | 10-11µm | 4.3-4.9µm |
| MIC-6-20 | 20° angled ICSI | 10-11µm | 4.3-4.9µm |
| MIC-6-25 | 25° angled ICSI | 10-11µm | 4.3-4.9µm |
| MIC-6-30 | 30° angled ICSI | 10-11µm | 4.3-4.9µm |
| MIC-6-35 | 35° angled ICSI | 10-11µm | 4.3-4.9µm |
| MIC-6-40 | 40° angled ICSI | 10-11µm | 4.3-4.9µm |
| MIC-6-45 | 45° angled ICSI | 10-11µm | 4.3-4.9µm |

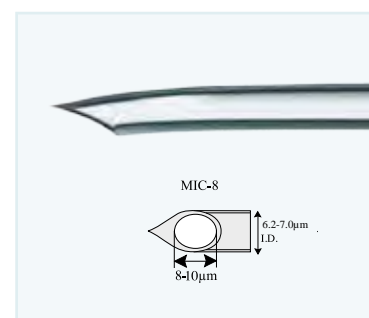




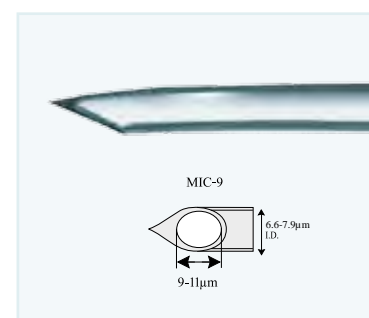
| Ref. No.  | Description     | Bevel length | I.D.      |
|---|-----------------|--------------|-----------|
| <b>ICSI SlimLine (narrow taper design) (10 per box)</b> |                 |              |           |
| MIC-SLM-0   | Straight ICSI   | 10-12µm      | 4.3-4.9µm |
| MIC-SLM-15  | 15° angled ICSI | 10-12µm      | 4.3-4.9µm |
| MIC-SLM-20  | 20° angled ICSI | 10-12µm      | 4.3-4.9µm |
| MIC-SLM-25  | 25° angled ICSI | 10-12µm      | 4.3-4.9µm |
| MIC-SLM-30  | 30° angled ICSI | 10-12µm      | 4.3-4.9µm |
| MIC-SLM-35  | 35° angled ICSI | 10-12µm      | 4.3-4.9µm |
| MIC-SLM-40  | 40° angled ICSI | 10-12µm      | 4.3-4.9µm |
| MIC-SLM-45  | 45° angled ICSI | 10-12µm      | 4.3-4.9µm |



| Ref. No.                                    | Description     | Bevel length | I.D.      |
|---|-----------------|--------------|-----------|
| <b>Larger ICSI Micropipets (10 per box)</b> |                 |              |           |
| MIC-8-0                                     | Straight ICSI   | 8-10µm       | 6.2-7.0µm |
| MIC-8-15                                    | 15° angled ICSI | 8-10µm       | 6.2-7.0µm |
| MIC-8-20                                    | 20° angled ICSI | 8-10µm       | 6.2-7.0µm |
| MIC-8-25                                    | 25° angled ICSI | 8-10µm       | 6.2-7.0µm |
| MIC-8-30                                    | 30° angled ICSI | 8-10µm       | 6.2-7.0µm |
| MIC-8-35                                    | 35° angled ICSI | 8-10µm       | 6.2-7.0µm |
| MIC-8-40                                    | 40° angled ICSI | 8-10µm       | 6.2-7.0µm |
| MIC-8-45                                    | 45° angled ICSI | 8-10µm       | 6.2-7.0µm |



| Ref. No.  | Description     | Bevel length | I.D.      |
|---|-----------------|--------------|-----------|
| <b>Standard Spermatid ICSI Micropipets (10 per box)</b> |                 |              |           |
| MIC-9-0   | Straight ICSI   | 9-11µm       | 6.6-7.9µm |
| MIC-9-15  | 15° angled ICSI | 9-11µm       | 6.6-7.9µm |
| MIC-9-20  | 20° angled ICSI | 9-11µm       | 6.6-7.9µm |
| MIC-9-25  | 25° angled ICSI | 9-11µm       | 6.6-7.9µm |
| MIC-9-30  | 30° angled ICSI | 9-11µm       | 6.6-7.9µm |
| MIC-9-35  | 35° angled ICSI | 9-11µm       | 6.6-7.9µm |
| MIC-9-40  | 40° angled ICSI | 9-11µm       | 6.6-7.9µm |
| MIC-9-45  | 45° angled ICSI | 9-11µm       | 6.6-7.9µm |



# Holding Micropipets

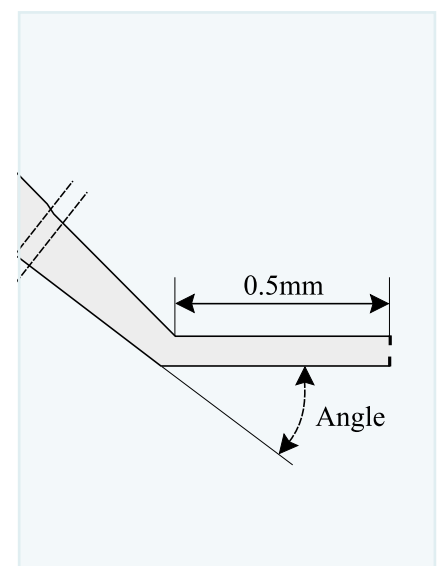
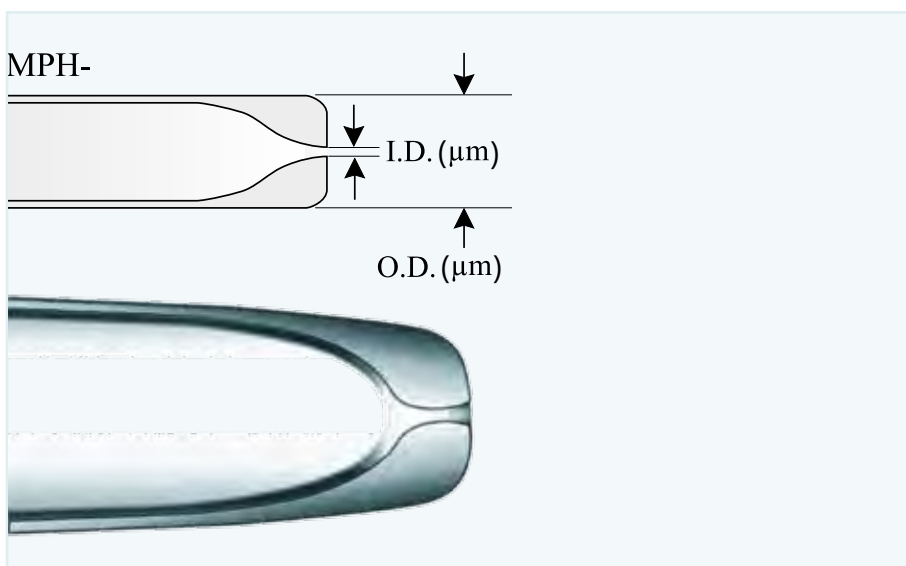


Holding micropipets are used to hold and immobilize the oocyte or embryo.

- Holding pipets have a flat, polished opening with a large ratio of outer diameter to inner diameter for maximum control
- Four standard sizes offered
- Large and Extra Large sizes are ideal for handling blastocysts
- Customizations available upon request

## Regulatory

- CE marked (CE 0086)
- Cleared by the FDA
- Canada Medical Device licensed
- Australia Medical Device licensed





| Ref. No. | Description | I.D. | O.D. |
|----------|-------------|------|------|
|----------|-------------|------|------|

**Small Holding Micropipets (10 per box)**

|           |                          |         |         |
|-----------|--------------------------|---------|---------|
| MPH-SM-0  | Straight Small Holding   | 15-20µm | 65-95µm |
| MPH-SM-15 | 15° angled Small Holding | 15-20µm | 65-95µm |
| MPH-SM-20 | 20° angled Small Holding | 15-20µm | 65-95µm |
| MPH-SM-25 | 25° angled Small Holding | 15-20µm | 65-95µm |
| MPH-SM-30 | 30° angled Small Holding | 15-20µm | 65-95µm |
| MPH-SM-35 | 35° angled Small Holding | 15-20µm | 65-95µm |
| MPH-SM-40 | 40° angled Small Holding | 15-20µm | 65-95µm |
| MPH-SM-45 | 45° angled Small Holding | 15-20µm | 65-95µm |

**Medium Holding Micropipets (10 per box)**

|            |                           |         |          |
|------------|---------------------------|---------|----------|
| MPH-MED-0  | Straight Medium Holding   | 15-20µm | 95-120µm |
| MPH-MED-15 | 15° angled Medium Holding | 15-20µm | 95-120µm |
| MPH-MED-20 | 20° angled Medium Holding | 15-20µm | 95-120µm |
| MPH-MED-25 | 25° angled Medium Holding | 15-20µm | 95-120µm |
| MPH-MED-30 | 30° angled Medium Holding | 15-20µm | 95-120µm |
| MPH-MED-35 | 35° angled Medium Holding | 15-20µm | 95-120µm |
| MPH-MED-40 | 40° angled Medium Holding | 15-20µm | 95-120µm |
| MPH-MED-45 | 45° angled Medium Holding | 15-20µm | 95-120µm |

**Large Holding Micropipets (10 per box)**

|           |                          |         |           |
|-----------|--------------------------|---------|-----------|
| MPH-LG-0  | Straight Large Holding   | 25-30µm | 120-150µm |
| MPH-LG-15 | 15° angled Large Holding | 25-30µm | 120-150µm |
| MPH-LG-20 | 20° angled Large Holding | 25-30µm | 120-150µm |
| MPH-LG-25 | 25° angled Large Holding | 25-30µm | 120-150µm |
| MPH-LG-30 | 30° angled Large Holding | 25-30µm | 120-150µm |
| MPH-LG-35 | 35° angled Large Holding | 25-30µm | 120-150µm |

**Extra Large Holding Micropipets (10 per box)**

|            |                              |         |           |
|------------|------------------------------|---------|-----------|
| MPH-XLG-0  | Straight Extra Large Holding | 25-30µm | 150-180µm |
| MPH-XLG-15 | 15° angled X-Large Holding   | 25-30µm | 150-180µm |
| MPH-XLG-20 | 20° angled X-Large Holding   | 25-30µm | 150-180µm |
| MPH-XLG-25 | 25° angled X-Large Holding   | 25-30µm | 150-180µm |
| MPH-XLG-30 | 30° angled X-Large Holding   | 25-30µm | 150-180µm |
| MPH-XLG-35 | 35° angled X-Large Holding   | 25-30µm | 150-180µm |

# Denuding Micropipets

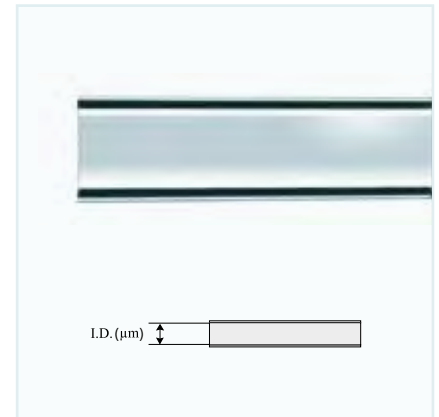


Denuding micropipets are used to remove the cumulus cells from the oocyte.

- Available in a large variety of sizes appropriate for the denudation of oocytes
- Made from 1.5mm O.D. glass
- Lightweight, ergonomic handle sold separately (STRIPPER® BP)

## Regulatory

- CE marked (0086)
- Cleared by the FDA
- Canada Medical device licensed
- Australia Medical Device licensed



| Ref. No.                                 | Description                                      | I.D.          |
|--|--|---------------|
| <b>Denuding Micropipets (10 per box)</b> |  |               |
| MDP-120-0                                | Straight Denuding Micropipet, with blunt opening | 120µm +/- 5µm |
| MDP-130-0                                | Straight Denuding Micropipet, with blunt opening | 130µm +/- 5µm |
| MDP-135-0                                | Straight Denuding Micropipet, with blunt opening | 135µm +/- 5µm |
| MDP-140-0                                | Straight Denuding Micropipet, with blunt opening | 140µm +/- 5µm |
| MDP-150-0                                | Straight Denuding Micropipet, with blunt opening | 150µm +/- 5µm |
| MDP-160-0                                | Straight Denuding Micropipet, with blunt opening | 160µm +/- 5µm |
| MDP-170-0                                | Straight Denuding Micropipet, with blunt opening | 170µm +/- 5µm |
| MDP-175-0                                | Straight Denuding Micropipet, with blunt opening | 175µm +/- 5µm |
| MDP-190-0                                | Straight Denuding Micropipet, with blunt opening | 190µm +/- 5µm |
| MDP-250-0                                | Straight Denuding Micropipet, with blunt opening | 250µm +/- 5µm |



The STRIPPER® BP Black Handle and the STRIPPER® BP SlimLine Handle - see next page

# The STRIPPER®



The STRIPPER® products are specialized microtools for the manipulation and transfer of oocytes and embryos during IVF procedures.

- The STRIPPER® Tips are sterile pipets available in a variety of sizes (75 – 600µm inner diameter (ID)) for denuding oocytes
- Specialized sizes for PGD work (50µm ID) and cumulus complex transfer (1,000µm ID), The STRIPPER® family of products will meet all the needs of a clinical and research lab
- Designed to be flexible, unbreakable, and will not scratch culture dishes. Available in a unique EZ DISPENSE package or in individually sealed packs.
- Offer a variety of ergonomic pipetter handles to match your preferences.



The STRIPPER® Micropipetter



The STRIPPER® family



The STRIPPER® Micropipetter with comfort grip



The STRIPPER® CC Micropipetter

| Ref. No.                | Description        | Specification                                      |
|-------------------------|--------------------|--|
| <b>The STRIPPER®</b>    |                    |  |
| MXL3-STR                | Micropipetter      |  |
| MXL3-STR-CGR            | Micropipetter      | Free Standing Comfort Grip Included                |
| <b>The STRIPPER® BP</b> |                    |  |
| MXL3-STR-BP-DE          | BP Black Handle    | Ergonomic design made from lightweight Delrin      |
| MXL3-STR-BP-SW          | BP Slimline Handle | Made from Stainless Steel                          |
| MXL3-BULB               | Silicone bulb      | 20/pk  |
| <b>The STRIPPER® CC</b> |                    |  |
| MXL3-STR-CC             | CC Micropipetter   |  |
| MXL3-CC                 | Tips               | 1000µm (20/pk)                                     |
| MXL3-IND-CC             | Tips               | 1000µm (20/pk, individually packaged)              |
| MXL3-ORK-CC             | O Ring Repair Kit  | For CC Micropipetter only Includes O-rings, Spacer |

## Quality control testing

- Gamma Irradiated for sterility
- Endotoxin Tested

## Regulatory

- CE marked (0086)
- Cleared by the FDA
- Canada Medical device licensed
- Australia Medical Device licensed



| Ref. No. | Description | Specification |
|----------|-------------|---------------|
|----------|-------------|---------------|

## The STRIPPER® PGD

|                 |                                 |                                     |
|-----------------|---------------------------------|-------------------------------------|
| MXL3-STR-PGD    | Micropipetter                   |                                     |
| MXL3-STR-PGD-CG | Micropipetter with Comfort grip |                                     |
| MXL3-50         | Tips                            | 50µm (20/pk)                        |
| MXL3-IND-50     | Tips                            | 50µm (20/pk, individually packaged) |



The STRIPPER® PGD Micropipetter

## The STRIPPER® Tips - Multi-Package

|          |      |                |
|----------|------|----------------|
| MXL3-75  | Tips | 75 µm (20/pk)  |
| MXL3-100 | Tips | 100 µm (20/pk) |
| MXL3-125 | Tips | 125 µm (20/pk) |
| MXL3-135 | Tips | 135 µm (20/pk) |
| MXL3-150 | Tips | 150 µm (20/pk) |
| MXL3-175 | Tips | 175 µm (20/pk) |
| MXL3-200 | Tips | 200 µm (20/pk) |
| MXL3-275 | Tips | 275 µm (20/pk) |
| MXL3-600 | Tips | 600 µm (20/pk) |



EZ-dispense: STRIPPER® tips multi-packaged

## The STRIPPER® Tips - Individual Pack

|              |      |                                      |
|--------------|------|--------------------------------------|
| MXL3-IND-75  | Tips | 75µm (20/pk, individually packaged)  |
| MXL3-IND-100 | Tips | 100µm (20/pk, individually packaged) |
| MXL3-IND-125 | Tips | 125µm (20/pk, individually packaged) |
| MXL3-IND-135 | Tips | 135µm (20/pk, individually packaged) |
| MXL3-IND-150 | Tips | 150µm (20/pk, individually packaged) |
| MXL3-IND-175 | Tips | 175µm (20/pk, individually packaged) |
| MXL3-IND-200 | Tips | 200µm (20/pk, individually packaged) |
| MXL3-IND-275 | Tips | 275µm (20/pk, individually packaged) |
| MXL3-IND-600 | Tips | 600µm (20/pk, individually packaged) |



The STRIPPER® Tips individually packaged

## The STRIPPER® Accessories

|              |                           |                           |
|--------------|---------------------------|---------------------------|
| MXL3-PRM     | Micropipetter Rack Multi  | Holds STRIPPER Multipacks |
| MXL3-CGR     | Comfort Grip              | Assembly required         |
| MXL3-PLG     | Micropipetter Plunger     | For Replacement           |
| MXL3-PLG-PGD | PGD Micropipetter Plunger | For Replacement           |
| MXL3-ORK *   | O Ring Repair Kit         | Includes O-rings, Spacer  |

\*Can be used for STRIPPER and STRIPPER PGD





# Culture

## ART Media

- ORIGIO® Sequential Series™ p. 34
- EmbryoGen® & BlastGen™ p. 35
- Liquid Paraffin p. 36
- Acidified Tyrodes Solution p. 37
- Biopsy Medium p. 38
- MediCult IVM System™ p. 39

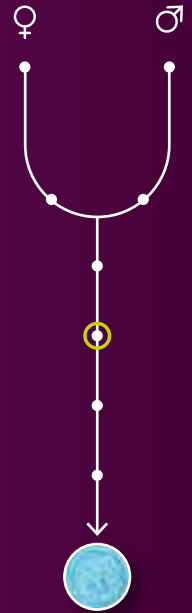
## Cell handling microtools & other ART devices

- Assisted Hatching Micropipet p. 40
- PZD Micropipets p. 41
- Biopsy Micropipets p. 42
- IVF Pasteur Pipets p. 46

## ORIGIO Training Lab

p.115

Please contact your local ORIGIO sales representative for more information on how you could benefit from ORIGIO's training and education offer.



## How to choose culture media

A single step medium? ORIGIO also offers SAGE 1-Step™ see p.94

|   | ORIGIO® Sequential Cleav™ | ORIGIO® Sequential Blast™ | EmbryoGen® | BlastGen™ | Liquid Paraffin | Acidified Tyrodes Solution | Biopsy Medium |
|---|---------------------------|---------------------------|------------|-----------|-----------------|----------------------------|---------------|
| You perform embryo transfer on Day2/Day 3                           | ✓                         |                           | ✓          |           |                 |                            |               |
| You perform blastocyst transfer Day 5 and choose blastocyst culture |                           | ✓                         |            | ✓         |                 |                            |               |
| Overlay of culture medium   |                           |                           |            |           | ✓               |                            |               |
| Drilling of the Zona Pellucida                                      |                           |                           |            |           |                 | ✓                          |               |
| Blastomere biopsy   |                           |                           |            |           |                 |                            | ✓             |

# ORIGIO® Sequential Series™



For fertilization, culture and transfer.

- A full embryo culture system: creating a consistent, reliable and robust environment for the preimplantation embryo
- A knowledge gained in over 20 years of media development
- Inspired by the latest peer reviewed research



## Composition

- Sodium chloride
- Sodium dihydrogen Phosphate dihydrate
- Magnesium Sulfate heptahydrate
- Sodium Bicarbonate
- D-(+)-glucose
- Calcium pyruvate
- Sodium pyruvate
- Non-essential amino acids
- L-alanyl-L-glutamine
- Calcium pantothenate
- Folic acid
- Gentamicin sulfate
- Tri-sodium citrate dehydrate
- EDTA
- Albumin

ORIGIO® Sequential Fert™ only

- Calcium chloride

ORIGIO® Sequential Fert™/Cleav™ only

- Potassium chloride
- Taurine

ORIGIO® Sequential Fert™/Blast™ only

- Essential amino acids
- Sodium hyaluronate

ORIGIO® Sequential Blast™ only

- Potassium Sulphate

- SSR™
- Choline chloride
- D-Biotin
- Inositol
- Niacinamid
- Pyridoxine HCL
- Riboflavin
- Thiamine HCL

## Quality control testing

- Sterility tested (Ph. Eur., USP)
- Osmolality tested (Ph. Eur., USP)
- pH tested (Ph. Eur., USP)
- Endotoxin tested < 0.15 EU/ml (Ph. Eur., USP)
- Mouse Embryo Assay (MEA)

## Regulatory

- CE marked (CE 0543)
- Canada Medical Device licensed

| Ref. No. | Description                                   | Size  | Shelf life guarantee* |
|----------|---|-------|-----------------------|
| 83010010 | ORIGIO® Sequential Fert™, without phenol red  | 10 ml | Min. 8 weeks          |
| 83010060 | ORIGIO® Sequential Fert™, without phenol red  | 60 ml | Min. 8 weeks          |
| 83020010 | ORIGIO® Sequential Fert™, with phenol red     | 10 ml | Min. 8 weeks          |
| 83020060 | ORIGIO® Sequential Fert™, with phenol red     | 60 ml | Min. 8 weeks          |
| 83030010 | ORIGIO® Sequential Cleav™, without phenol red | 10 ml | Min. 8 weeks          |
| 83030060 | ORIGIO® Sequential Cleav™, without phenol red | 60 ml | Min. 8 weeks          |
| 83040010 | ORIGIO® Sequential Cleav™, with phenol red    | 10 ml | Min. 8 weeks          |
| 83040060 | ORIGIO® Sequential Cleav™, with phenol red    | 60 ml | Min. 8 weeks          |
| 83050010 | ORIGIO® Sequential Blast™, without phenol red | 10 ml | Min. 8 weeks          |
| 83060010 | ORIGIO® Sequential Blast™, with phenol red    | 10 ml | Min. 8 weeks          |

\* Minimum time to expiry (from date of shipment from Denmark)



For culture until the blastocyst stage and transfer.

- Advanced IVF media containing the GM-CSF cytokine
- Reducing embryo stress by approaching a more physiological *in vitro* environment
- Beneficial to all patients, but recommended for: recurrent clinical & biochemical pregnancy loss, recurrent implantation failure and unexplained infertility.



## Composition

- Albumin
- Calcium pyruvate
- D-(+)-glucose
- EDTA
- Essential amino acids
- GM-CSF
- Folic acid
- Gentamicin sulfate
- L-alanyl-L-glutamine
- Magnesium Sulfate heptahydrate
- Non-essential amino acids
- Sodium Bicarbonate
- Sodium chloride
- Sodium dihydrogen Phosphate dihydrate
- Sodium hyaluronate
- Sodium pyruvate
- Tri-sodium citrate dehydrate
- Calcium pantothenate

### EmbryoGen® only

- Potassium chloride
- Taurine

### BlastGen® only

- Choline chloride
- D-Biotin
- Inositol
- Niacinamid
- Potassium Sulphate
- Pyridoxine HCL
- Riboflavin
- SSR™ (Synthetic Serum Replacement)
- Thiamine HCL

## Quality control testing

- Sterility tested (Ph. Eur., USP)
- Osmolality tested (Ph. Eur., USP)
- pH tested (Ph. Eur., USP)
- Endotoxin tested < 0.15 EU/ml (Ph. Eur., USP)
- Mouse Embryo Assay (MEA)

## Regulatory

1203:

- CE marked (CE 0543)
- Cleared by the FDA
- Canada Medical Device licensed

1205:

- CE marked (CE 0543)
- Canada Medical Device licensed

| Ref. No. | Description             | Size    | Shelf life guarantee* |
|----------|-------------------------|---------|-----------------------|
| 12030003 | EmbryoGen®              | 3 ml    | Min. 8 weeks          |
| 12030103 | EmbryoGen® (US/CA only) | 3 ml    | Min. 8 weeks          |
| 12050003 | BlastGen™               | 3 ml    | Min. 8 weeks          |
| 12062003 | EmbryoGen® & BlastGen™  | 2x 3 ml | Min. 8 weeks          |

\* Minimum time to expiry (from date of shipment from Denmark)

# Liquid Paraffin



For the overlay of culture media during IVF and ICSI procedures.

- Pure and sterile filtered light paraffin oil of pharmacopoeia and foodstuff grade
- Pre-washed with HSA-containing medium
- Very low endotoxin levels



## Composition

- Liquid Paraffin, Ph. Eur., which has been pre-washed with Universal IVF Medium.

| Ref. No. | Description     | Size    | Shelf life guarantee* |
|----------|-----------------|---------|-----------------------|
| 10100060 | Liquid Paraffin | 60 ml   | Min. 16 weeks         |
| 10105060 | Liquid Paraffin | 5x60 ml | Min. 16 weeks         |
| 10100500 | Liquid Paraffin | 500 ml  | Min. 16 weeks         |

## Quality control testing

- Sterility tested (Ph. Eur., USP)
- Endotoxin tested  $\leq 0.1$  EU/ml (Ph. Eur., USP)
- Mouse Embryo Assay (MEA)

## Regulatory

- CE marked (CE 0543)
- Cleared by the FDA
- Canada: MD Reg.
- Australia Medical Device licensed

\* Minimum time to expiry (from date of shipment from Denmark)

# Acidified Tyrodes Solution



For chemical drilling of the zona pellucida to facilitate hatching.

- For chemical drilling to facilitate hatching
- Ready to use



## Composition

- Calcium Chloride
- Glucose
- Magnesium Chloride
- Milli RX Water
- PVP (polyvinylpyrrolidone)
- Sodium Chloride
- Sodium Phosphate

| Ref. No. | Description                | Size     | Shelf life guarantee* |
|----------|----------------------------|----------|-----------------------|
| 10605000 | Acidified Tyrodes Solution | 5x0.2 ml | Min. 9 weeks          |

## Quality control testing

- Sterility tested (Ph. Eur., USP)
- pH tested (Ph. Eur., USP)

## Regulatory

- CE marked (CE 0543)
- Cleared by the FDA
- Canada Medical Device licensed

\* Minimum time to expiry (from date of shipment from Denmark)

# Biopsy Medium



For blastomere biopsy of cleavage stage embryos for pre-implantation Genetic Diagnosis (PGD).

- For blastomere removal of cleavage stage embryos
- Designed for use outside the incubator



## Composition

- Alanine
- Albumin (Human, HSA)
- Ammonium Metavanadate
- Arginine
- Asparagine
- Aspartic Acid
- Choline Chloride
- Cysteine
- Gentamicin Sulphate
- Glucose
- Glutamic Acid
- Glycine
- HEPES
- Histidine
- Isoleucine
- Leucine
- Lysine
- HCl
- Methionine
- Milli RX Water
- Molybdic Acid
- Phenylalanine
- Potassium Chloride
- Proline
- Serine
- Sodium Bicarbonate
- Sodium Chloride
- Sodium Selenite
- SSR™ (Synthetic Serum Replacement)
- Threonine
- Tryptophan
- Tyrosine
- Valine

## Quality control testing

- Sterility tested (Ph. Eur., USP)
- Osmolality tested (Ph. Eur., USP)
- pH tested (Ph. Eur., USP)
- Endotoxin tested  $\leq 0.1$  EU/ml (Ph. Eur., USP)
- Mouse Embryo Assay (MEA)

## Regulatory

- CE marked (CE 0543)
- Cleared by the FDA
- Canada Medical Device licensed
- Australia Medical Device licensed

| Ref. No. | Description   | Size  | Shelf life guarantee* |
|----------|---------------|-------|-----------------------|
| 10620010 | Biopsy Medium | 10 ml | Min. 12 weeks         |

\* Minimum time to expiry (from date of shipment from Denmark)

# MediCult™ IVM System



For preincubation and maturing of immature oocytes.

- The first commercial IVM product
- Proven results in clinics worldwide
- One kit sufficient for three treatments



| Ref. No. | Description                     | Size    | Shelf life guarantee* |
|----------|---------------------------------|---------|-----------------------|
| 82214010 | MediCult™ IVM System            |         |                       |
|          | LAG Medium (10 ml) (Vial 1)     |         |                       |
|          | IVM Medium (10 ml) (Vial 2 x 3) | 4x10 ml | 8 weeks               |

## Composition

### LAG Medium

- Albumin (Human HSA) • Calcium Chloride • Gentamicin Sulphate • Magnesium Sulfate • Milli RX Water • Phenol Red • Potassium Chloride • Sodium Bicarbonate • Sodium Chloride • Sodium Phosphate • Sodium Pyruvate • SSR™ (Synthetic Serum Replacement) • Glucose

### IVM Medium

- Adenine • Adenosine • Alanine • Arginine • Ascorbic Acid • Aspartic Acid • Calcium Chloride • Calcium pantothenate • Cholesterol • Choline Chloride • Cysteine • Cystine • D-Biotin • Deoxy ribose • Folic Acid • Gentamicin Sulphate • Glucose • Glutamic Acid • Glutamine • Glutathione • Glycine • Guanine • Histidine • Hydroxy Proline • Hypoxanthine • Inositol • Iron(III) • Isoleucine • Leucine • Lysine • Magnesium Sulfate • Menadione • Methionine • Milli RX Water • Niacin • Niacinamide • Para-aminobenzoic Acid • Phenol Red • Phenylalanine • Potassium Chloride • Proline • Pyridoxal • Pyridoxine • Riboflavin • Ribose • Serine • Sodium Acetate • Sodium Bicarbonate • Sodium Chloride • Sodium Dihydrogen Phosphate • Sodium Pyruvate • Thiamine • Threonine • Thymine • Tryptophan • Tween 80 • Tyrosine • Uracile • Valine • Vitamin A • Vitamin D2 • Vitamine E • Xanthine

## Quality control testing

- Sterility tested (Ph. Eur., USP)
- Osmolality tested (Ph. Eur., USP)
- pH tested (Ph. Eur., USP)
- Endotoxin tested ≤ 0.1 EU/ml (Ph. Eur., USP)
- Mouse Embryo Assay (MEA)

## Regulatory

- CE marked (CE 0543)
- Cleared by the FDA
- Canada Medical Device licensed

\* Minimum time to expiry (from date of shipment from Denmark)

# Assisted Hatching Micropipet

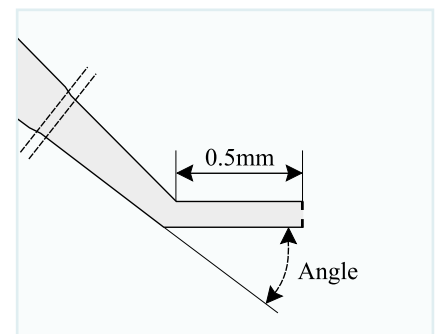
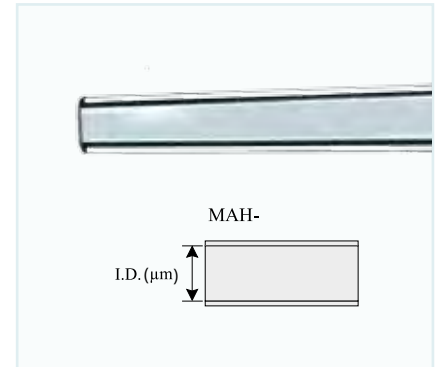


Assisted Hatching micropipets are used to create a hole in the zona pellucida using Acidified Tyrodes solution.

- Assisted Hatching Pipets have a blunt, slightly polished opening
- Two Inner Diameter sizes offered
- Customization available upon request

## Regulatory

- CE marked (CE 0086)
- Cleared by the FDA
- Canada Medical Device licensed
- Australia Medical Device licensed



| Ref. No.                                       | Description         | I.D.    |
|--|---------------------|---------|
| <b>Small Hatching Micropipets (10 per box)</b> |                     |         |
| MAH-SM-0                                       | Straight Hatching   | 8-10µm  |
| MAH-SM-15                                      | 15° angled Hatching | 8-10µm  |
| MAH-SM-20                                      | 20° angled Hatching | 8-10µm  |
| MAH-SM-25                                      | 25° angled Hatching | 8-10µm  |
| MAH-SM-30                                      | 30° angled Hatching | 8-10µm  |
| MAH-SM-35                                      | 35° angled Hatching | 8-10µm  |
| MAH-SM-40                                      | 40° angled Hatching | 8-10µm  |
| MAH-SM-45                                      | 45° angled Hatching | 8-10µm  |
| <b>Large Hatching Micropipets (10 per box)</b> |                     |         |
| MAH-LG-0                                       | Straight Hatching   | 10-12µm |
| MAH-LG-15                                      | 15° angled Hatching | 10-12µm |
| MAH-LG-20                                      | 20° angled Hatching | 10-12µm |
| MAH-LG-25                                      | 25° angled Hatching | 10-12µm |
| MAH-LG-30                                      | 30° angled Hatching | 10-12µm |
| MAH-LG-35                                      | 35° angled Hatching | 10-12µm |
| MAH-LG-40                                      | 40° angled Hatching | 10-12µm |
| MAH-LG-45                                      | 45° angled Hatching | 10-12µm |



# PZD Micropipets



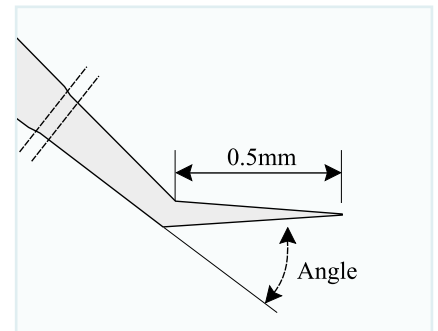
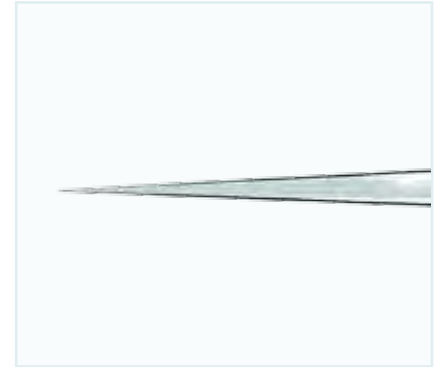
PZD (Partial Zona Dissection) micropipets are used in blastomere biopsy and mechanical hatching techniques by physically piercing the zona pellucida.

- PZD is pulled with a long thin taper to a sharp point
- Large choice of angle options



## Composition

- CE marked (CE 0086)
- Cleared by the FDA
- Canada Medical Device licensed
- Australia Medical Device licensed



| Ref. No.                            | Description               |
|-------------------------------------|---------------------------|
| <b>PZD Micropipets (10 per box)</b> |                           |
| PZD-0                               | Straight PZD micropipet   |
| PZD-15                              | 15° angled PZD micropipet |
| PZD-20                              | 20° angled PZD micropipet |
| PZD-25                              | 25° angled PZD micropipet |
| PZD-30                              | 30° angled PZD micropipet |
| PZD-35                              | 35° angled PZD micropipet |
| PZD-40                              | 40° angled PZD micropipet |
| PZD-45                              | 45° angled PZD micropipet |

# Biopsy Micropipets

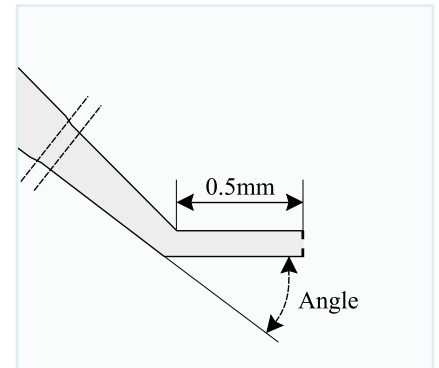


Our polar body biopsy micropipets are used to remove the polar body of an oocyte for pre-implantation genetic diagnosis. Our blastomere biopsy pipets are used to remove a blastomere from a developing embryo.

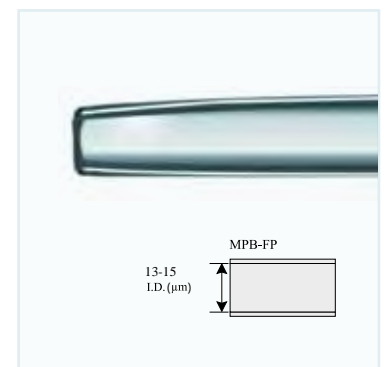
- Polar body biopsy pipets: flat, beveled or spiked.
- Blastomere biopsy pipets are offered flat or beveled and in a range of inner diameter sizes.

## Regulatory

- CE marked (CE 0086)
- Cleared by the FDA
- Canada Medical Device licensed
- Australia Medical Device licensed



| Ref. No.   | Description                   | I.D.    | Spike |
|--|-------------------------------|---------|-------|
| <b>Polar Body Biopsy Micropipets (10 per box), flat and polished</b> |                               |         |       |
| MPB-FP-0   | Straight, flat and polished   | 13-15µm | No    |
| MPB-FP-15  | 15° angled, flat and polished | 13-15µm | No    |
| MPB-FP-20  | 20° angled, flat and polished | 13-15µm | No    |
| MPB-FP-25  | 25° angled, flat and polished | 13-15µm | No    |
| MPB-FP-30  | 30° angled, flat and polished | 13-15µm | No    |
| MPB-FP-35  | 35° angled, flat and polished | 13-15µm | No    |
| MPB-FP-40  | 40° angled, flat and polished | 13-15µm | No    |
| MPB-FP-45  | 45° angled, flat and polished | 13-15µm | No    |

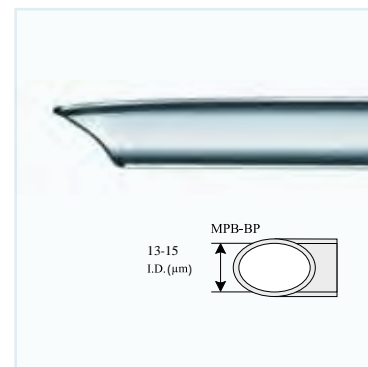




| Ref. No. | Description | I.D. | Spike |
|----------|-------------|------|-------|
|----------|-------------|------|-------|

**Polar Body Biopsy Micropipets (10 per box), beveled and polished**

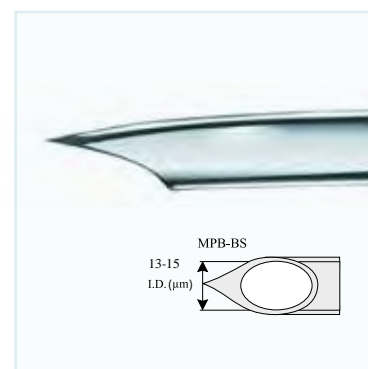
|           |                                  |         |    |
|-----------|----------------------------------|---------|----|
| MPB-BP-0  | Straight, beveled and polished   | 13-15µm | No |
| MPB-BP-15 | 15° angled, beveled and polished | 13-15µm | No |
| MPB-BP-20 | 20° angled, beveled and polished | 13-15µm | No |
| MPB-BP-25 | 25° angled, beveled and polished | 13-15µm | No |
| MPB-BP-30 | 30° angled, beveled and polished | 13-15µm | No |
| MPB-BP-35 | 35° angled, beveled and polished | 13-15µm | No |
| MPB-BP-40 | 40° angled, beveled and polished | 13-15µm | No |
| MPB-BP-45 | 45° angled, beveled and polished | 13-15µm | No |



| Ref. No. | Description | I.D. | Spike |
|----------|-------------|------|-------|
|----------|-------------|------|-------|

**Polar Body Biopsy Micropipets (10 per box), beveled with spike**

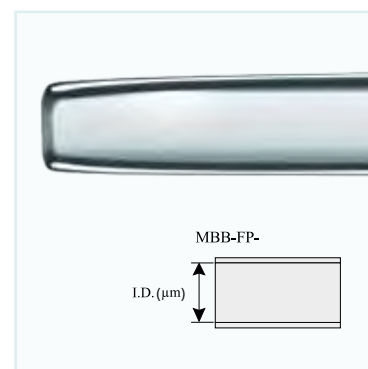
|           |                                |         |     |
|-----------|--------------------------------|---------|-----|
| MPB-BS-0  | Straight, beveled with spike   | 13-15µm | Yes |
| MPB-BS-15 | 15° angled, beveled with spike | 13-15µm | Yes |
| MPB-BS-20 | 20° angled, beveled with spike | 13-15µm | Yes |
| MPB-BS-25 | 25° angled, beveled with spike | 13-15µm | Yes |
| MPB-BS-30 | 30° angled, beveled with spike | 13-15µm | Yes |
| MPB-BS-35 | 35° angled, beveled with spike | 13-15µm | Yes |
| MPB-BS-40 | 40° angled, beveled with spike | 13-15µm | Yes |
| MPB-BS-45 | 45° angled, beveled with spike | 13-15µm | Yes |



| Ref. No. | Description | I.D. |
|----------|-------------|------|
|----------|-------------|------|

**Small Blastomere Biopsy Micropipets (10 per box)**

|              |  |         |
|--------------|--|---------|
| MBB-FP-SM-0  | Straight Blastomere, flat and polished   | 28-32µm |
| MBB-FP-SM-15 | 15° angled Blastomere, flat and polished | 28-32µm |
| MBB-FP-SM-20 | 20° angled Blastomere, flat and polished | 28-32µm |
| MBB-FP-SM-25 | 25° angled Blastomere, flat and polished | 28-32µm |
| MBB-FP-SM-30 | 30° angled Blastomere, flat and polished | 28-32µm |
| MBB-FP-SM-35 | 35° angled Blastomere, flat and polished | 28-32µm |
| MBB-FP-SM-40 | 40° angled Blastomere, flat and polished | 28-32µm |
| MBB-FP-SM-45 | 45° angled Blastomere, flat and polished | 28-32µm |

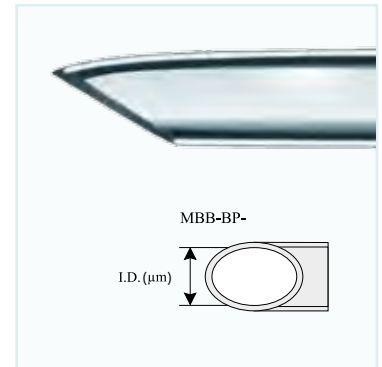




| Ref. No. | Description | I.D. |
|----------|-------------|------|
|----------|-------------|------|

## Small Blastomere Biopsy Micropipets (10 per box)

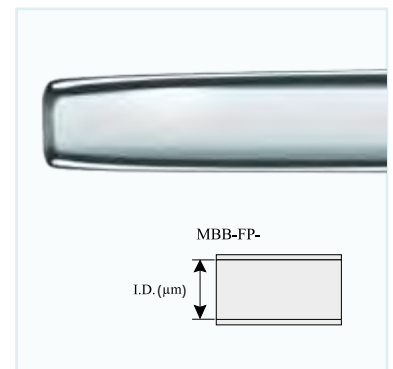
|              |   |               |
|--------------|---|---------------|
| MBB-BP-SM-0  | Straight Blastomere, beveled and polished   | 28-32 $\mu$ m |
| MBB-BP-SM-15 | 15° angled Blastomere, beveled and polished | 28-32 $\mu$ m |
| MBB-BP-SM-20 | 20° angled Blastomere, beveled and polished | 28-32 $\mu$ m |
| MBB-BP-SM-25 | 25° angled Blastomere, beveled and polished | 28-32 $\mu$ m |
| MBB-BP-SM-30 | 30° angled Blastomere, beveled and polished | 28-32 $\mu$ m |
| MBB-BP-SM-35 | 35° angled Blastomere, beveled and polished | 28-32 $\mu$ m |
| MBB-BP-SM-40 | 40° angled Blastomere, beveled and polished | 28-32 $\mu$ m |
| MBB-BP-SM-45 | 45° angled Blastomere, beveled and polished | 28-32 $\mu$ m |



| Ref. No. | Description | I.D. |
|----------|-------------|------|
|----------|-------------|------|

## Medium Blastomere Biopsy Micropipets (10 per box)

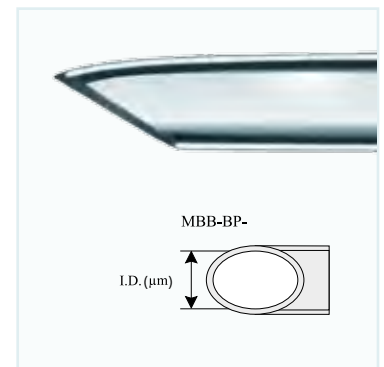
|             |  |               |
|-------------|--|---------------|
| MBB-FP-M-0  | Straight Blastomere, flat and polished   | 33-37 $\mu$ m |
| MBB-FP-M-15 | 15° angled Blastomere, flat and polished | 33-37 $\mu$ m |
| MBB-FP-M-20 | 20° angled Blastomere, flat and polished | 33-37 $\mu$ m |
| MBB-FP-M-25 | 25° angled Blastomere, flat and polished | 33-37 $\mu$ m |
| MBB-FP-M-30 | 30° angled Blastomere, flat and polished | 33-37 $\mu$ m |
| MBB-FP-M-35 | 35° angled Blastomere, flat and polished | 33-37 $\mu$ m |
| MBB-FP-M-40 | 40° angled Blastomere, flat and polished | 33-37 $\mu$ m |
| MBB-FP-M-45 | 45° angled Blastomere, flat and polished | 33-37 $\mu$ m |



| Ref. No. | Description | I.D. |
|----------|-------------|------|
|----------|-------------|------|

## Medium Blastomere Biopsy Micropipets (10 per box)

|             |   |               |
|-------------|---|---------------|
| MBB-BP-M-0  | Straight Blastomere, beveled and polished   | 33-37 $\mu$ m |
| MBB-BP-M-15 | 15° angled Blastomere, beveled and polished | 33-37 $\mu$ m |
| MBB-BP-M-20 | 20° angled Blastomere, beveled and polished | 33-37 $\mu$ m |
| MBB-BP-M-25 | 25° angled Blastomere, beveled and polished | 33-37 $\mu$ m |
| MBB-BP-M-30 | 30° angled Blastomere, beveled and polished | 33-37 $\mu$ m |
| MBB-BP-M-35 | 35° angled Blastomere, beveled and polished | 33-37 $\mu$ m |
| MBB-BP-M-40 | 40° angled Blastomere, beveled and polished | 33-37 $\mu$ m |
| MBB-BP-M-45 | 45° angled Blastomere, beveled and polished | 33-37 $\mu$ m |

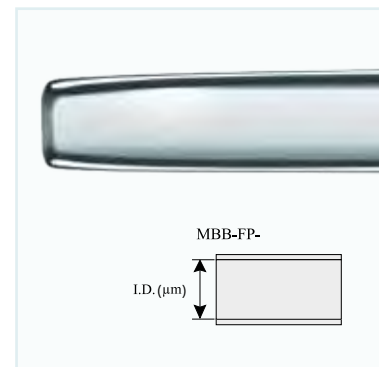




| Ref. No. | Description | I.D. |
|----------|-------------|------|
|----------|-------------|------|

### Large Blastomere Biopsy Micropipets (10 per box)

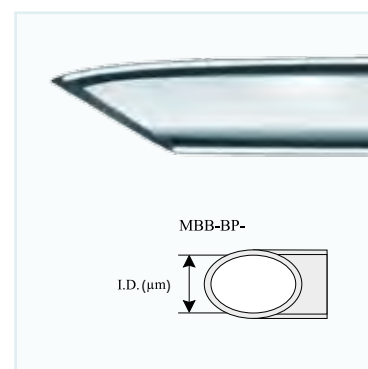
|             |  |         |
|-------------|--|---------|
| MBB-FP-L-0  | Straight Blastomere, flat and polished   | 38-42µm |
| MBB-FP-L-15 | 15° angled Blastomere, flat and polished | 38-42µm |
| MBB-FP-L-20 | 20° angled Blastomere, flat and polished | 38-42µm |
| MBB-FP-L-25 | 25° angled Blastomere, flat and polished | 38-42µm |
| MBB-FP-L-30 | 30° angled Blastomere, flat and polished | 38-42µm |
| MBB-FP-L-35 | 35° angled Blastomere, flat and polished | 38-42µm |
| MBB-FP-L-40 | 40° angled Blastomere, flat and polished | 38-42µm |
| MBB-FP-L-45 | 45° angled Blastomere, flat and polished | 38-42µm |



| Ref.No. | Description | I.D. |
|---------|-------------|------|
|---------|-------------|------|

### Large Blastomere Biopsy Micropipets (10 per box)

|             |   |         |
|-------------|---|---------|
| MBB-BP-L-0  | Straight Blastomere, beveled and polished   | 38-42µm |
| MBB-BP-L-15 | 15° angled Blastomere, beveled and polished | 38-42µm |
| MBB-BP-L-20 | 20° angled Blastomere, beveled and polished | 38-42µm |
| MBB-BP-L-25 | 25° angled Blastomere, beveled and polished | 38-42µm |
| MBB-BP-L-30 | 30° angled Blastomere, beveled and polished | 38-42µm |
| MBB-BP-L-35 | 35° angled Blastomere, beveled and polished | 38-42µm |
| MBB-BP-L-40 | 40° angled Blastomere, beveled and polished | 38-42µm |
| MBB-BP-L-45 | 45° angled Blastomere, beveled and polished | 38-42µm |



| Ref.No. | Description | I.D. |
|---------|-------------|------|
|---------|-------------|------|

### Common custom sizes available

|                 |   |      |
|-----------------|---|------|
| MBBC001-(angle) | Flat & polished, specify angle preference | 25µm |
| MBBC018-(angle) | Flat & polished, specify angle preference | 20µm |

# IVF Pasteur Pipets



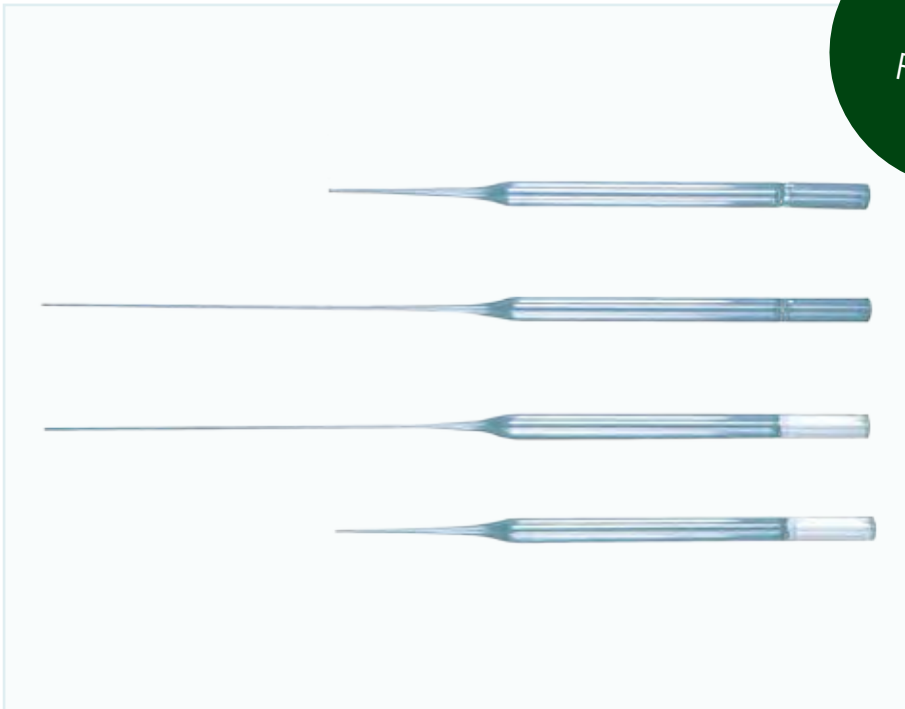
Humagen Pasteur Pipets are specifically prepared for the IVF laboratory for a variety of uses.

- Made from Borosilicate glass
- Two standard lengths with or without a cotton plug available
- Sterilized by dry heat
- MEA and LAL tested
- Convenient packaging is compact and allows user to easily remove one pouch at a time while leaving the other pouches protected

## Regulatory

- CE marked (CE 0086)
- Cleared by the FDA
- Canada Medical Device licensed
- Australia Medical Device licensed

Now  
with Fire  
Polished  
Tips



With fire polish



Without fire polish

| Ref. No.       | Description   |
|----------------|---|
| PP-5.75-90     | Box of 90, 30 pouches of 3 pipets each, 5.75" (14.6cm) long                   |
| PP-9-90        | Box of 90, 30 pouches of 3 pipets each, 9" (22.9cm) long                      |
| PP-5.75-1000   | Case of 1000, 20 trays of 50 each, 5.75" (14.6cm) long                        |
| PP-9-1000      | Case of 1000, 20 trays of 50 each, 9" (22.9cm) long                           |
| PP-5.75-90PL   | Box of 90, cotton plugged, 30 pouches of 3 pipets each, 5.75" (14.6cm) long   |
| PP-9-90PL      | Box of 90, cotton plugged, 30 pouches of 3 pipets each, 9" (22.9cm) long      |
| PP-5.75-1000PL | Case of 1000, cotton plugged, 20 trays of 50 pipets each, 5.75" (14.6cm) long |
| PP-9-1000PL    | Case of 1000, cotton plugged, 20 trays of 50 pipets each, 9" (22.9cm) long    |



# Cryopreservation

## ART Media

- CryoSperm™ p. 48
- Sperm Freezing Medium p. 49
- Embryo Freezing Pack p. 50
- Embryo Thawing Pack p. 51
- BlastFreeze™ p. 52
- BlastThaw™ p. 53
- MediCult™ Vitrification Cooling p. 54
- MediCult™ Vitrification Warming p. 55

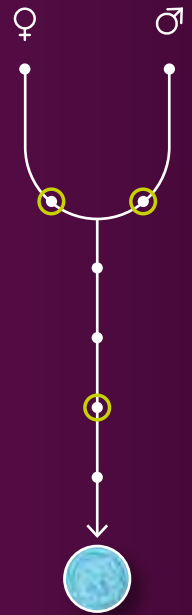
## Cell handling microtools & other ART devices

- Cryopette® p. 56
- McGill Cryoleaf™ p. 57

## ORIGIO Training Lab

p.115

Please contact your local ORIGIO sales representative for more information on how you could benefit from ORIGIO's training and education offer.



## Media usage overview

|                              | CryoSperm™ | Sperm Freezing Medium | Embryo Freezing Pack & Embryo Thawing Pack | BlastFreeze™ & BlastThaw™ | MediCult™ Vitrification Cooling & Warming |
|------------------------------|------------|-----------------------|--|---------------------------|---|
| Spermatozoa                  | ✓          | ✓                     |  |                           |   |
| Oocytes                      |            |                       |  |                           | ✓   |
| Zygotes and 2-4 cell Embryos |            |                       | ✓  |                           | ✓   |
| Blastocysts                  |            |                       |  | ✓                         | ✓   |



For freezing of human spermatozoa.

- For cryopreservation of human spermatozoa
- Free of proteins and any components of animal origin
- Ready to use



## Composition

- Gentamicin Sulphate
- Glucose
- Glutamine
- Glycerol
- Glycine
- HEPES
- Magnesium Sulfate
- Milli RX Water
- Potassium Chloride
- Raffinose
- Sodium Bicarbonate
- Sodium Chloride
- Sodium L-lactate
- Sodium Phosphate
- Sodium Pyruvate
- Taurine

| Ref. No. | Description | Size  | Shelf life guarantee* |
|----------|-------------|-------|-----------------------|
| 11010010 | CryoSperm™  | 10 ml | Min. 12 weeks         |

## Quality control testing

- Sterility tested (Ph. Eur., USP)
- pH tested (Ph. Eur., USP)
- Endotoxin tested ≤ 0.1 EU/ml (Ph. Eur., USP)
- Sperm survival tested

## Regulatory

- CE marked (CE 0543)
- Canada Medical Device licensed
- Australia Medical Device licensed

\* Minimum time to expiry (from date of shipment from Denmark)



# Sperm Freezing Medium



For freezing of spermatozoa and tissue from testicular biopsies.

- Contains HAS, glycerol and sucrose
- Ready to use



## Composition

- Albumin (Human, HSA)
- Calcium Chloride
- Gentamicin Sulphate
- Glucose
- Glycerol
- Glycine
- HEPES
- Magnesium Chloride
- Milli RX Water
- Potassium Chloride
- Potassium Phosphate
- Sodium Bicarbonate
- Sodium Chloride
- Sodium L-lactate
- Sodium Phosphate
- SSR™ (Synthetic Serum Replacement)
- Sucrose

## Quality control testing

- Sterility tested (Ph. Eur., USP)
- pH tested (Ph. Eur., USP)
- Endotoxin tested  $\leq 0.1$  EU/ml (Ph. Eur., USP)
- Sperm survival tested

## Regulatory

- CE marked (CE 0543)
- Cleared by the FDA
- Canada Medical Device licensed

| Ref. No. | Description           | Size  | Shelf life guarantee* |
|----------|-----------------------|-------|-----------------------|
| 10670010 | Sperm Freezing Medium | 10 ml | Min. 12 weeks         |

\* Minimum time to expiry (from date of shipment from Denmark)

# Embryo Freezing Pack



For freezing of human zygotes and cleavage stage embryos.

- Ready to use media kit for embryo slow freeze
- Phosphate buffered to maintain pH outside incubator
- For single use



## Composition

- Albumin (Human, HSA)
- Calcium Chloride
- Disodium Hydrogen Phosphate
- Magnesium Chloride
- Potassium Chloride
- Potassium Phosphate
- Propylene Glycol (Vials 2, 3 only)
- Sodium Chloride
- SSR™ (Synthetic Serum Replacement)
- Sucrose (Vial 3 only)

| Ref. No. | Description          | Size    | Shelf life guarantee* |
|----------|----------------------|---------|-----------------------|
| 10264010 | Embryo Freezing Pack | 4x10 ml | Min. 8 weeks          |
| 10264002 | Embryo Freezing Pack | 4x2 ml  | Min. 8 weeks          |

New size available  
1st half 2016

## Quality control testing

- Sterility tested (Ph. Eur., USP)
- Osmolality tested (Ph. Eur., USP) (Vial 1)
- pH tested (Ph. Eur., USP)
- Endotoxin tested  $\leq 0.1$  EU/ml (Ph. Eur., USP)
- Mouse Embryo Assay (MEA)

## Regulatory

- CE marked (CE 0543)
- Cleared by the FDA
- Canada Medical Device licensed
- Australia Medical Device licensed

\* Minimum time to expiry (from date of shipment from Denmark)

# Embryo Thawing Pack



For thawing of human zygotes and cleavage stage embryos frozen using Embryo Freezing Pack.

- Ready to use media kit for thawing of embryos
- Phosphate buffered to maintain pH outside incubator
- For single use



## Composition

- Albumin (Human, HSA)
- Calcium Chloride
- Disodium Hydrogen Phosphate
- Magnesium Chloride
- Milli RX Water
- Potassium Chloride
- Potassium Phosphate
- Propylene Glycol (Vials 1, 2 only)
- Sodium Chloride
- SSR™ (Synthetic Serum Replacement)
- Sucrose (Vials 1,2,3 only)

## Quality control testing

- Sterility tested (Ph. Eur., USP)
- Osmolality tested (Ph. Eur., USP) (Vial 4)
- pH tested (Ph. Eur., USP)
- Endotoxin tested  $\leq 0.1$  EU/ml (Ph. Eur., USP)
- Mouse Embryo Assay (MEA)

## Regulatory

- CE marked (CE 0543)
- Cleared by the FDA
- Canada Medical Device licensed
- Australia Medical Device licensed

| Ref. No. | Description         | Size    | Shelf life guarantee* |
|----------|---------------------|---------|-----------------------|
| 10984010 | Embryo Thawing Pack | 4x10 ml | Min. 8 weeks          |
| 10984002 | Embryo Thawing Pack | 4x2 ml  | Min. 8 weeks          |

New size available  
1st half 2016

\* Minimum time to expiry (from date of shipment from Denmark)



For freezing of blastocysts.

- Ready to use media kit for blastocyst slow freeze
- Simple and easy-to-follow protocol
- For single use



## Composition

- Albumin (Human, HSA)
- Calcium Chloride
- Sodium Hydrogen Phosphate
- Gentamicin Sulphate
- Glucose
- Glycerol
- Magnesium Sulfate
- Milli RX Water
- Phenol Red
- Potassium Chloride
- Sodium Bicarbonate
- Sodium Chloride
- Sodium Pyruvate
- SSR™ (Synthetic Serum Replacement)
- Sucrose (Vial 2 only)

| Ref. No. | Description  | Size    | Shelf life guarantee* |
|----------|--------------|---------|-----------------------|
| 10532010 | BlastFreeze™ | 2x10 ml | Min. 8 weeks          |
| 10534002 | BlastFreeze™ | 4x2 ml  | Min. 8 weeks          |

New size available  
1st half 2016

## Quality control testing

- Sterility tested (Ph. Eur., USP)
- Osmolality tested (Ph. Eur., USP) (Vial 4)
- pH tested (Ph. Eur., USP)
- Endotoxin tested ≤ 0.1 EU/ml (Ph. Eur., USP)
- Mouse Embryo Assay (MEA)

## Regulatory

- CE marked (CE 0543)
- Cleared by the FDA
- Canada Medical Device licensed

\* Minimum time to expiry (from date of shipment from Denmark)



For thawing of blastocysts frozen using BlastFreeze™.

- Ready to use media kit for thawing of blastocysts
- Simple and easy-to-follow protocol
- For single use



## Composition

- Albumin (Human, HSA)
- Calcium Chloride
- Gentamicin Sulphate
- Glucose
- Magnesium Sulfate
- Milli RX Water
- Phenol Red
- Potassium Chloride
- Sodium Bicarbonate
- Sodium Chloride
- Sodium Phosphate
- Sodium Pyruvate
- SSR™ (Synthetic Serum Replacement)
- Sucrose

## Quality control testing

- Sterility tested (Ph. Eur., USP)
- pH tested (Ph. Eur., USP)
- Endotoxin tested ≤ 0.1 EU/ml (Ph. Eur., USP)
- Mouse Embryo Assay (MEA)

## Regulatory

- CE marked (CE 0543)
- Cleared by the FDA
- Canada Medical Device licensed

| Ref. No. | Description | Size    | Shelf life guarantee* |
|----------|-------------|---------|-----------------------|
| 10542010 | BlastThaw™  | 2x10 ml | Min. 8 weeks          |
| 10544002 | BlastThaw™  | 4x2 ml  | Min. 8 weeks          |

New size available  
1st half 2016

\* Minimum time to expiry (from date of shipment from Denmark)

# MediCult™ Vitrification Cooling



MediCult™ Vitrification Cooling is for vitrification of human oocytes and/or embryos.

- Same protocol for oocytes and/or embryos
- Simple and easy-to-follow protocol
- Ready-to-use DMSO free media



## Composition

- Albumin (Human, HSA)
- Calcium Chloride
- Ethylene Glycol
- Gentamicin Sulphate
- Glucose
- Glutamine
- HEPES
- Magnesium Sulfate
- Milli RX Water
- Potassium Chloride
- Potassium Phosphate
- Propylene Glycol
- Sodium Bicarbonate
- Sodium Chloride
- Sodium Hydroxide
- Sodium Lactate
- Sodium Pyruvate
- Sucrose (Vial 2 only)

## Quality control testing

- Sterility tested (Ph.Eur., USP)
- pH tested (Ph.Eur., USP)
- Endotoxin tested  $\leq 0.5$  EU/ml (Ph.Eur., USP)
- Mouse Embryo Assay (MEA)

## Regulatory

- CE marked (CE 0543)
- Cleared by the FDA
- Canada Medical Device licensed
- Australia Medical Device licensed

| Ref. No. | Description                     | Size   | Shelf life guarantee* |
|----------|---------------------------------|--------|-----------------------|
| 12284001 | MediCult™ Vitrification Cooling | 4x1 ml | Min. 8 weeks          |

\* Minimum time to expiry (from date of shipment from Denmark)

# MediCult™ Vitrification Warming



For thawing of human oocytes and/or embryos stored using ultra rapid cooling.

- Same protocol for oocytes and/or embryos
- Simple and easy-to-follow protocol



| Ref. No. | Description                     | Size   | Shelf life guarantee* |
|----------|---------------------------------|--------|-----------------------|
| 12295002 | MediCult™ Vitrification Warming | 5x2 ml | Min. 8 weeks          |

## Composition

- Albumin (Human, HSA)
- Calcium Chloride
- Gentamicin Sulphate
- Glucose
- Glutamine
- HEPES
- Magnesium Sulfate
- Milli RX Water
- Potassium Chloride
- Potassium Phosphate
- Sodium Bicarbonate
- Sodium Chloride
- Sodium Hydroxide
- Sodium Lactate
- Sodium Pyruvate
- Sucrose (Not in vial 4)

## Quality control testing

- Sterility tested (Ph. Eur., USP)
- pH tested (Ph.Eur., USP)
- Endotoxin tested ≤ 0.5 EU/ml (Ph. Eur., USP)
- Mouse Embryo Assay (MEA)

## Regulatory

- CE marked (CE 0543)
- Cleared by the FDA
- Canada Medical Device licensed
- Australia Medical Device licensed

\* Minimum time to expiry (from date of shipment from Denmark)



Simple and effective closed system for vitrification.

- Flexible: Works with all media systems
- Simple: Just compress bulb to load and expel sample
- Safe: Closed system for maximum safety



## Composition

- Polycarbonate
- Silicone rubber

## Quality control testing

- Mouse Embryo Assay (MEA)

## Regulatory

- CE marked (CE 0086)
- Cleared by the FDA
- Canada Medical Device licensed
- Australia Medical Device licensed



Ultrasonic Sealer



Sterile 5-pack

| Ref. No.          | Description                                      |
|-------------------|--|
| <b>CRYPBLACK</b>  | 4 x Sterile 5-pack of Cryopettes® (Black bulb)   |
| <b>CRYPBLUE</b>   | 4 x Sterile 5-pack of Cryopettes® (Blue bulb)    |
| <b>CRYPGOLD</b>   | 4 x Sterile 5-pack of Cryopettes® (Gold bulb)    |
| <b>CRYPRED</b>    | 4 x Sterile 5-pack of Cryopettes® (Red bulb)     |
| <b>CRYPMULTI</b>  | 4 x Sterile 5-pack of Cryopettes® (Diff. colors) |
| <b>CRYPFLF</b>    | Cutting Platform and Razor                       |
| <b>CR772UL220</b> | Ultrasonic Sealer 220 V                          |
| <b>CRYGBLT13</b>  | 13 mm Goblet for Cryopette®                      |
| <b>CRYOCANE13</b> | Cryocanes for 13 mm Goblets                      |





For storage of vitrified human oocytes and/or embryos.

- Open system vitrification carrier for maximum cooling rate
- Easy handling and efficient storage of oocytes and/or embryos



## Composition

- Polypropylene

## Quality control testing

- Mouse Embryo Assay (MEA)

## Regulatory

- CE marked (CE 0543)
- Australia Medical Device licensed
- Canada Medical Device licensed

| Ref. No. | Description      | Size    | Shelf life guarantee* |
|----------|------------------|---------|-----------------------|
| 40771401 | McGill Cryoleaf™ | 14 pcs. | Min. 6 months         |

\* Minimum time to expiry (from date of shipment from Denmark)



1,800 the approximate number of ORIGIO quality control tests performed each week.  
That's quality you can count on.



# Embryo transfer

## ART Media

- UTM™ p. 62
- ORIGIO® Sequential Series™ p. 34

A single step medium? ORIGIO also offers SAGE 1-Step™ see p.94

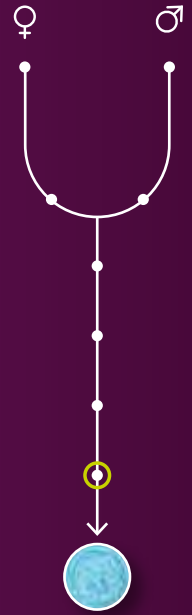
## Needles & Catheters

- Transem Embryo Transfer Catheters p. 63
- EchoGen™ Embryo Transfer Catheters p. 64

## ORIGIO Training Lab

p.115

Please contact your local ORIGIO sales representative for more information on how you could benefit from ORIGIO's training and education offer.





For transfer of cleavage stage embryos and blastocysts.

- Hyaluronan-enhanced transfer medium
- Hyaluronan significantly improves implantation rates<sup>1</sup>



## Composition

- Adenine • Alanine
- Albumin (Human, HSA) • Arginine
- Ascorbic Acid • Asparagine
- Aspartic Acid • Calcium Chloride
- Calcium Lactate • Calcium Pantothenate
- Cholesterol • Choline Chloride
- Cysteine • Cytosine
- D-Biotin
- Disodium Hydrogen Phosphate
- Folic Acid • Gentamicin Sulphate
- Glucose • Glutamic Acid
- Glutamine • Glycine • Guanine
- Histidine • Human Insulin Recombinant
- Hydrochlorid Acid 1N • hypotaurine
- Inositol • Isoleucine
- Leucine • Lysine • Magnesium Sulfate
- Malic Acid • Methionine
- Milli RX Water • Phenol Red (1052 only)
- Phenylalanine • Potassium Chloride
- Potassium Phosphate • Proline
- Pyridoxine • Riboflavin • Serine
- Sodium acetate • Sodium Bicarbonate
- Sodium Chloride • Sodium Hyaluronate
- Sodium Phosphate • Sodium Pyruvate
- Taurine • Thiamine • Threonine
- Thymine • Tri Sodiumcitrate Dihydrate
- Tryptophan • Tyrosine • Uracile
- Valine • Vitamin B12

| Ref. No. | Description              | Size  | Shelf life guarantee* |
|----------|--------------------------|-------|-----------------------|
| 10520010 | UTM™, with phenol red    | 10 ml | Min. 8 weeks          |
| 11520010 | UTM™, without phenol red | 10 ml | Min. 8 weeks          |

## Quality control testing

- Sterility tested (Ph. Eur., USP)
- Osmolality tested (Ph. Eur., USP)
- pH tested (Ph. Eur., USP)
- Endotoxin tested ≤ 0.1 EU/ml (Ph. Eur., USP)
- Mouse Embryo Assay (MEA)

## Regulatory

- CE marked (CE 0543)
- Cleared by the FDA
- Canada Medical Device licensed
- Australia Medical Device licensed

1) Nakagawa K, et al. (J. Assist. Reprod. Genet. 2012 Jul; 29(7): 679-85)

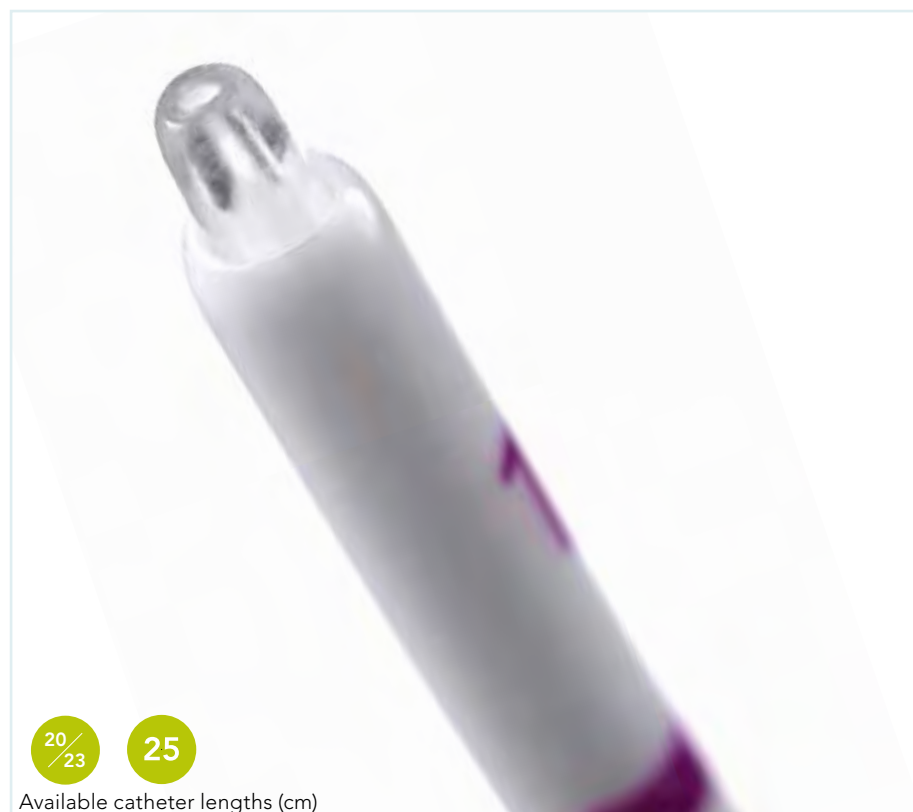
\* Minimum time to expiry (from date of shipment from Denmark)

# Transem Embryo Transfer Catheters



The Transem classic range of catheters.

- Soft, supported or angled embryo transfer catheters
- Soft atraumatic tips
- New! Ergonomic hub design for greater control



## Quality control testing

- MEA, LAL

## Regulatory

- CE marked (CE 0543)

## Composition

- Polypropylene
- Polyethylene
- Stainless Steel
- Silicone



Angled catheter with optional obturator



Ergonomic hub design for greater handling, grip, accuracy and control

| Ref. No.  | Description                     | Inner catheter length (mm) | Outer catheter length (mm) | Compatible with trial / stylets |
|-----------|---------------------------------|----------------------------|----------------------------|---------------------------------|
| TSET20C   | Transem Soft 20 cm              | 200                        | 130                        | TSTT20S / TSS1520               |
| TSET23C   | Transem Soft 23 cm              | 230                        | 160                        | TSTT23S / TSS1823               |
| TSET20S   | Transem Support 20 cm           | 200                        | 130                        | TSTT20S / TSS1520               |
| TSET23S   | Transem Support 23 cm           | 230                        | 160                        | TSTT23S / TSS1823               |
| TSET25SA  | Transem Angled 25 cm            | 250                        | 197                        | TSS2025                         |
| TSET25SAO | Transem Angled O 25 cm          | 250                        | 197                        | TSS2025                         |
| TSTT20S   | Transem Trial 20 cm             | 200                        | 130                        |                                 |
| TSTT23S   | Transem Trial 23 cm             | 230                        | 160                        |                                 |
| TSS1520   | Transem Stylet 15 cm = 20 cm ET | 200                        | 150                        |                                 |
| TSS1823   | Transem Stylet 18 cm = 23 cm ET | 230                        | 180                        |                                 |
| TSS2025   | Transem Stylet 20cm = 25 cm ET  | 250                        | 200                        |                                 |

# EchoGen™ Embryo Transfer Catheters



The EchoGen™ ultrasound range of catheters

- Available accross entire range of catheters
- Soft, supported or angled embryo transfer catheters
- New! Ergonomic hub design for greater control under ultrasound

## Quality control testing

- MEA, LAL

## Regulatory

- CE marked (CE 0543)

## Composition

- Polypropylene
- Polyethylene
- Polyolefine
- Stainless Steel
- Silicone



The EchoGen™ tip



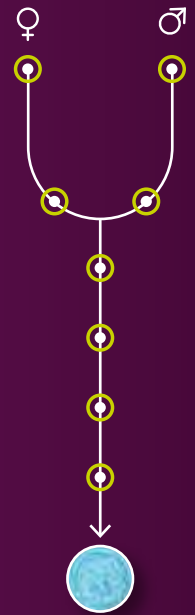
Ergonomic hub design for greater control under ultrasound

| Ref. No.    | Description                     | Inner catheter length (mm) | Outer catheter length (mm) | Compatible with trial / stylets |
|-------------|---------------------------------|----------------------------|----------------------------|---------------------------------|
| TSET20CEG   | EchoGen™ Soft 20 cm             | 200                        | 130                        | TSTT20S / TSS1520               |
| TSET23CEG   | EchoGen™ Soft 23 cm             | 230                        | 160                        | TSTT23S / TSS1823               |
| TSET20SEG   | EchoGen™ Support 20 cm          | 200                        | 130                        | TSTT20S / TSS1520               |
| TSET23SEG   | EchoGen™ Support 23 cm          | 230                        | 160                        | TSTT23S / TSS1823               |
| TSET25SAEG  | EchoGen™ Angled 25 cm           | 250                        | 197                        | TSS2025                         |
| TSET25SAOEG | EchoGen™ Angled O 25 cm         | 250                        | 197                        | TSS2025                         |
| TSTT20S     | Transem Trial 20 cm             | 200                        | 130                        |                                 |
| TSTT23S     | Transem Trial 23 cm             | 230                        | 160                        |                                 |
| TSS1520     | Transem Stylet 15 cm = 20 cm ET | 200                        | 150                        |                                 |
| TSS1823     | Transem Stylet 18 cm = 23 cm ET | 230                        | 180                        |                                 |
| TSS2025     | Transem Stylet 20cm = 25 cm ET  | 250                        | 200                        |                                 |

# Equipment

---

|   |       |
|---|-------|
| • Suction Pump                                | p. 64 |
| • Heated Trolley HT37                         | p. 65 |
| • Warming Plates WP37                         | p. 66 |
| • Titan-IVF Workstation                       | p. 67 |
| • Fortuna-IVF Workstation                     | p. 68 |
| • Mars-IVF Class II Biosafety Workstation     | p. 70 |
| • Heated Glass Stage HG37                     | p. 72 |
| • LED Light Source                            | p. 73 |
| • Microscopes and Micromanipulators           | p. 74 |
| • Warming blocks and Glass incubator hoods    | p. 75 |
| • LAF Hoods                                   | p. 78 |
| • Anti Vibration Table                        | p. 80 |
| • Computer Assisted Semen Analysis: IVOS® II  | p. 81 |
| • Computer Assisted Semen Analysis: CEROS™ II | p. 82 |
| • ORIGIO / PLANER Benchtop Incubator BT37     | p. 83 |
| • ORIGIO® Gas Line Filter                     | p. 85 |
| • Gas analyzer                                | p. 86 |
| • Scanfuge Centrifuges                        | p. 87 |
| • LYKOS™ Laser                                | p. 89 |
| • ZILOS-tk® Laser                             | p. 90 |
| • Matcher®                                    | p. 91 |



---

## ORIGIO Training Lab

p.115

Please contact your local ORIGIO sales representative for more information on how you could benefit from ORIGIO's training and education offer.

# Suction Pump



Specifically designed for oocyte aspiration.

- Instantaneous vacuum and quiet operation
- Dual Display: Actual pump pressure and set pump pressure
- Designed to maintain a vacuum accurately at a user specified setting within  $\pm 5$  mmHg of vacuum setting
- Can also boost the vacuum to approximately -500 mmHg from any setting (Boost)



## Specifications

- Dimensions (WxDxH)mm: 200x250x115
- Weight: 4.6 kg
- Vacuum Ranges: -10 mmHg to -210 mmHg in 1mmHg increments (normal) -500 mmHg (max boost)
- Vacuum range accuracy:  $\pm 5$  mmHg

## Regulatory

- CE (0543)



Disposable hydrophobic filter



Female/female adaptor



6 mm push fit/female adaptor



Vacuum tube 200 cm

| Ref. No. | Description                                 |                          |
|----------|---|--------------------------|
| SPUMPV1  | Suction Pump (including one bag of filters) |                          |
| HPFILTER | Disposable Hydrophobic Filters (bag of 25)  | 1 bag included with pump |
| 30114    | 6 mm push fit adaptor                       | 1 included with pump     |
| 30004    | Female/female luer type adaptor             | 1 included with pump     |

## Disposable vacuum tubes: 3 different luer lock connections available

|          |                                       |
|----------|---------------------------------------|
| VTS200MM | Vacuum tube 200 cm MM (male/male)     |
| VTS200MF | Vacuum tube 200 cm MF (male/female)   |
| VTS200FF | Vacuum tube 200 cm FF (female/female) |



# Heated Trolley HT37



Maintaining the optimal temperature

- Designed to maintain the optimal temperature of test tubes, catheters and instruments
- Reducing temperature induced damage
- Electronic adjustment of height for full end user comfort
- Central power source for all your tools - no more trailing leads!

## Specifications

- Heated anodised aluminium surface
- Table plate (width X depth): 700X600 mm
- Min/max possible height: 850/1050 mm
- Weight: 50 kg approx.
- Only sold in selected markets. Please contact your ORIGIO sales representative for more information



Including a shelf for suction pump

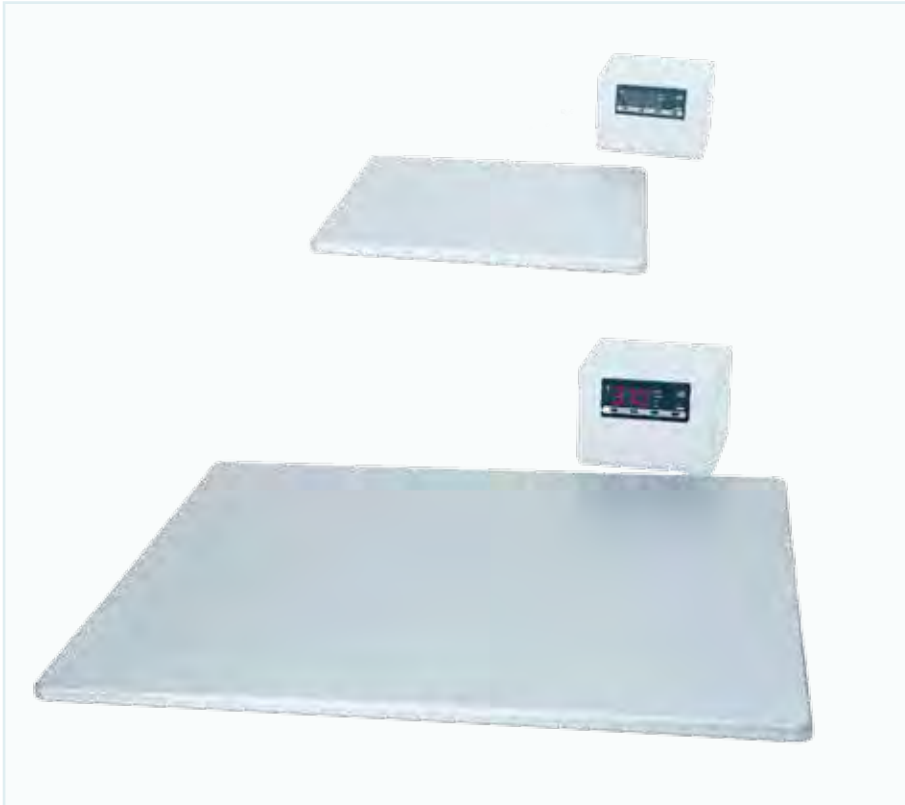
| Ref. No.      | Description                                  |
|---------------|--|
| 9.002.120.147 | Adjustable Heated Trolley with shelf - 220 V |
| 9 002 120 146 | Adjustable Heated Trolley with shelf - 110 V |

# Warming Plates WP37



Maintaining optimal temperature

- Adjustable temperature
- 2 models to choose from: 300 & 500
- Easily transportable
- Separate control unit



## Specifications

- Material: Anodised AL Table area
- Cable length: 2.5 m
- Control display dimensions (HxLxW): 100X152.5X126 mm
- Warming Plate WP37 300:  
Dimensions (HxLxW): 30x300x200 mm  
Weight around 3.7 kg
- Warming Plate WP37 500:  
Dimensions (HxLxW): 30x500x400 mm  
Weight around 6.3 kg
- Only sold in selected markets. Please contact your ORIGIO sales representative for more information

| Ref. No.      | Description                    |
|---------------|--------------------------------|
| 9 001 701 900 | Warming Plate WP37 300 - 220 V |
| 9 001 701 910 | Warming Plate WP37 500 - 220 V |
| 9 001 701 901 | Warming Plate WP37 300 - 110 V |
| 9 001 701 911 | Warming Plate WP37 500 - 110 V |

# Titan-IVF Workstation



A compact, unique size IVF workstation where sample protection is required.

- Even curtain of non-turbulent air flow filtered with HEPA filters, H-14 type (99,97% efficiency for 0.3 µm particles).
- Noise level < 52dBA
- Even and stable temperature in the electrical heated surface.
- The heated surface is microscope prepared and includes a heated glass stage and a LED light source as standard.
- Programmable auto-start and shut-down functions of all built-in features, including air flow.

## Specifications

### Range:

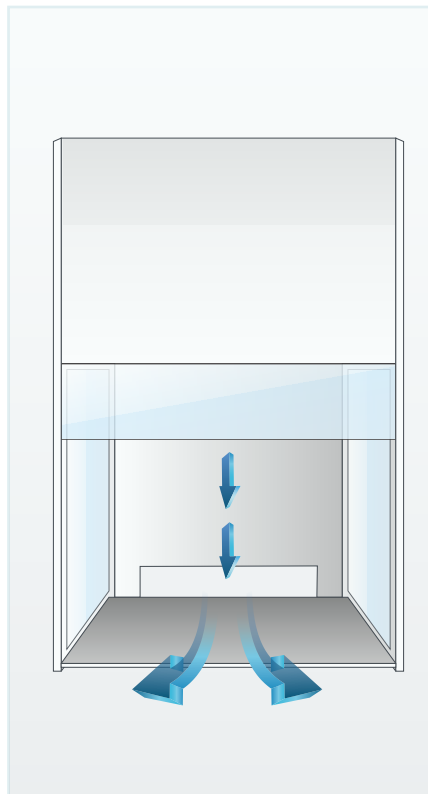
66 cm width model

### Versions:

Available with fixed support stand or Electrical adjustable height stand

### Standard configuration:

- Electrical heating
- Heated glass Stage,
- LED light source
- Microprocessor control panel
- Fixed support Stand (75-80cm)



Fully operated with a microprocessor control panel



Heated Glass Stage HG37 included

| Ref. No. | Description                 | External dimensions* (DxWxH in mm) |
|----------|-----------------------------|------------------------------------|
| WTIVFE   | TiTAN IVF fixed stand 75-80 | 373 x 660x 1735                    |
| WTIVFADJ | Titan IVF Adjustable stand  | 373 x 660x 1735                    |

\* 90-95 cm support stand and electrically adjustable height are available as options.

# Fortuna-IVF Workstation

A range of specialized IVF workstations where sample protection is required.

- Fortuna workstations are certified and complying to IEC 61010-2-010:2003 , IEC 61010 -1 -2010 (3rd Edition)
- Even curtain of non-turbulent air flow filtered with HEPA filters, H-14 type (99,97% efficiency for 0.3  $\mu\text{m}$  particles).
- Noise level < 48 dBA
- Even and stable temperature in the heated surface.
- The Heated surface is microscope prepared and includes, a heated glass stage, and an LED light source as standard.
- Integrated temperature controlled humidification system enabling full flexibility for short-term incubation.
- Programmable auto-start and shut-down functions of all built in features, including air flow.
- 21,5" LCD monitor, external data output via USB, and electrical outlets are included as standard.

## Specifications

- Range: 90-120-150-180 cm available models (approximative width)
- Versions:  
Single, Dual, ICSI and MP. (ICSI is available only in 120 cm model) Dual and MP are available only in 180cm model)
- Standard configuration:
  - Electrical heating
  - Heated glass Stage,
  - LED light source
  - Temperature controlled humidifier
  - 21,5" LCD monitor
  - USB data output
  - Electrical outlets
  - Fixed support Stand (80-85cm)



Airflow pattern





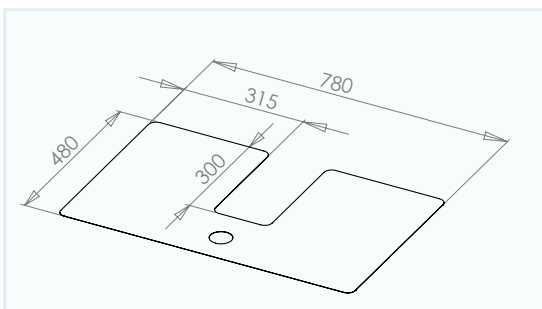
| Fortuna IVF configuration                             | Models       |               |              |               |               |               |              |
|---|--------------|---------------|--------------|---------------|---------------|---------------|--------------|
|   | WF900        | WF1200        | WF1200ICSI   | WF1500        | WF1800        | WF1800D       | WF1800MP     |
| Width in mm   | 1016         | 1321          | 1321         | 1626          | 1932          | 1932          | 1932         |
| Depth in mm   | 679          | 680           |              | 679           |               |               |              |
| Height in mm  | 2016         | 2016          |              | 2016          |               |               |              |
| U Shape heated surface <sup>1</sup>                   | ●            | ●             |              | ●             | ●             | ●             | ●            |
| Position of the heated Surface                        | M            | M             |              | L or R        | L or R        | L & R         | R            |
| Heated Glass HG37 <sup>1</sup>                        | ●            | ●             |              | ●             | ●             | ●             | ●            |
| 1 x Shelf for HG37 controller                         | ●            | ●             |              | ●             | ●             | ●             | ●            |
| LED light source TLB7000 <sup>1</sup>                 | ●            | ●             |              | ●             | ●             | ●             | ●            |
| 2 x EL outlet universal                               | ●            | ●             | ●            | ●             | ●             | ●             | ●            |
| 2 x USB outlets                                       | ●            | ●             | ●            | ●             | ●             | ●             | ●            |
| Stereomicroscope preparation <sup>1</sup>             | ●            | ●             |              | ●             | ●             | ●             | ●            |
| Position front cut window for microscope <sup>1</sup> | M            | M             | M            | L or R        | L or R        | L & R         | L & R        |
| 1 x 21.5" LCD monitor                                 | SP           | ●             |              | ●             | ●             | ●             | ●            |
| Humidifier <sup>2</sup>                               | ●            | ●             |              | ●             | ●             | ●             | ●            |
| 120-240 V   | ●            | ●             | ●            | ●             | ●             | ●             | ●            |
| Support stand 800-850 mm                              | ●            | ●             | ●            | ●             | ●             | ●             | ●            |
| Anti vibration table included                         |              |               | ●            |               |               |               | ●            |
| Packing included                                      | ●            | ●             | ●            | ●             | ●             | ●             | ●            |
| UV light tube & protection shield<br>Ref. no.         | ●<br>WF900UV | ●<br>WF1200UV |              | ●<br>WF1500UV | ●<br>WF1800UV | ●<br>WF1800UV |              |
| TLB7000 foot pedal<br>Ref. no.                        | ●<br>TLBFP   | ●<br>TLBFP    |              | ●<br>TLBFP    | ●<br>TLBFP    | ●<br>TLBFP    | ●<br>TLBFP   |
| Support stand 750-800 mm<br>Ref. no.                  | ●<br>WF7580  | ●<br>WF7580   | ●<br>WF7580  | ●<br>WF7580   | ●<br>WF7580   | ●<br>WF7580   | ●<br>WF7580  |
| Support stand 900-950 mm<br>Ref. no.                  | ●<br>WF9095  | ●<br>WF9095   |              | ●<br>WF9095   | ●<br>WF9095   | ●<br>WF9095   | ●<br>WF9095  |
| 1x External 21.5" monitor on a bracket<br>Ref. no.    | ●<br>WF21LCD | ●<br>WF21LCD  | ●<br>WF21LCD | ●<br>WF21LCD  | ●<br>WF21LCD  | ●<br>WF21LCD  | ●<br>WF21LCD |

<sup>1</sup>Fortuna 1800 Dual have 2 units

M=Middle L=Left R=Right

<sup>2</sup>Fortuna 1800 Dual have 2 humidification bottles

SP=Special, monitor mounted on magnets on the back wall



Standard heated area 800x500 mm



# Mars-IVF Class II Biosafety Workstation

A range of specialized Class II IVF workstations where both operator and sample protection are required.

- Mars workstations are certified and complying to IEC 61010-2-010:2003 , IEC 61010 -1 -2010 (3rd Edition)
- Even curtain of non-turbulent air flow filtered with HEPA filters, H-14 type (99,97% efficiency for 0.3  $\mu\text{m}$  particles).
- Electrically adjustable front window.
- Noise level < 52 dBA
- Even and stable temperature in the heated surface.
- The Heated surface is microscope prepared and includes, a heated glass stage, and an LED light source as standard.
- Programmable auto-start and shut-down functions of all built in features, including air flow.
- 21,5" LCD monitor, external data output via USB, and electrical outlets are included as standard.

## Specifications

- Versions: 90-120-150-180 cm available models (approximative width)
- Versions: Single, Dual and MP. (Dual and MP available only in 180cm model)
- Electrical heating
- Heated glass Stage,
- LED light source
- Temperature controlled humidifier
- 21,5" LCD monitor
- USB data output
- Electrical outlets
- UV light (except WM1800MP model)
- Fixed support Stand (80-85cm)



Airflow pattern

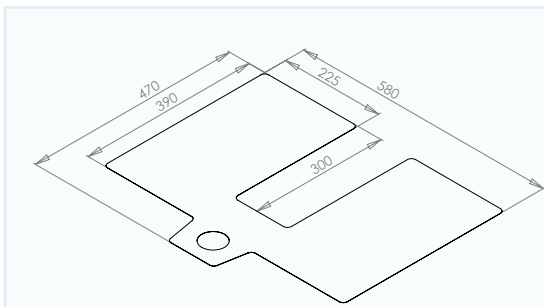




|                               |   | Models      |             |             |             |             |            |
|-------------------------------|---|-------------|-------------|-------------|-------------|-------------|------------|
| Mars IVF configuration        | WM900                                     | WM1200      | WM1500      | WM1800      | WM1800D     | WM1800MP    |            |
| Width in mm                   | 1003                                      | 1303        | 1608        | 1913        |             |             |            |
| Depth in mm                   | 796                                       |             |             |             |             |             |            |
| Height in mm                  | 2040                                      |             |             |             |             |             |            |
| Standard                      | U Shape heated surface*                   | ●           | ●           | ●           | ●           | ●           | ●          |
|                               | Position of the heated surface            | M           | M           | L or R      | L or R      | L & R       | R          |
|                               | Heated Glass HG37*                        | ●           | ●           | ●           | ●           | ●           | ●          |
|                               | 1 x Shelf for HG37 controller             | ●           | ●           | ●           | ●           | ●           | ●          |
|                               | LED light source TLB7000*                 | ●           | ●           | ●           | ●           | ●           | ●          |
|                               | 2 x EL outlet universal                   | ●           | ●           | ●           | ●           | ●           | ●          |
|                               | 2 x USB outlets                           | ●           | ●           | ●           | ●           | ●           | ●          |
|                               | Stereomicroscope preparation*             | ●           | ●           | ●           | ●           | ●           | ●          |
|                               | Position front cut window for microscope* | M           | M           | L or R      | L or R      | L & R       | L & R      |
|                               | 1 x 21.5" LCD monitor                     | SP          | ●           | ●           | ●           | ●           | ●          |
|                               | Humidifier*                               | ●           | ●           | ●           | ●           | ●           | ●          |
|                               | UV light tube & protection shield         | ●           | ●           | ●           | ●           | ●           |            |
|                               | 120-240 V                                 | ●           | ●           | ●           | ●           | ●           | ●          |
|                               | Support stand 800-850 mm                  | ●           | ●           | ●           | ●           | ●           | ●          |
| Anti vibration table included |   |             |             |             |             | ●           |            |
| Packing included              | ●   | ●           | ●           | ●           | ●           | ●           |            |
| Options                       | TLB7000 foot pedal<br>Ref. no.            | ●<br>TLBFP  | ●<br>TLBFP  | ●<br>TLBFP  | ●<br>TLBFP  | ●<br>TLBFP  | ●<br>TLBFP |
|                               | Support stand 750-800 mm<br>Ref. no.      | ●<br>WM7580 | ●<br>WM7580 | ●<br>WM7580 | ●<br>WM7580 | ●<br>WM7580 |            |
|                               | Support stand 900-950 mm<br>Ref. no.      | ●<br>WM9095 | ●<br>WM9095 | ●<br>WM9095 | ●<br>WM9095 | ●<br>WM9095 |            |

\*WM1800 have 2 units  
M=Middle L=Left R=Right  
SP=Special, monitor mounted on magnets on the back wall

Standard heated area 800x500 mm



# Heated Glass Stage HG37



Maintaining optimal temperature of your samples

- HG37 is included in all our IVF workstations that have a heated surface as standard
- Full temperature control in increments of 0.01 °C
- Unique temperature accuracy of  $\pm 0.1$  °C
- Visual indication of warming up, safe operation and alarm states with LED light and control box
- One controller for up to 2 glass stages
- Data logging via USB
- Unique software mode specially designed for Class II workstations requesting a higher air-flow.
- New Features: auto-calibration and auto-tuner

## Specifications

- Control Box:  
Dimensions (HxLxW): 144X162X112 mm  
Weight 1.8 kg
- Glass diameter: 90 mm
- Auto-calibration: Self Calibrating with a use of a dedicated calibration probe.
- Auto-tuner: Enables the controller to constantly learn and adjust to temperature peaks to achieve set points with minimal overshoot and oscillation



Heated Glass Stage Calibration Probe



Heated Glass Stage HG37 combined with LED light source TLB7000

| Ref. No.      | Description                                      |
|---------------|--|
| 9 002 120 155 | Heated Glass Stage controller (1 glass included) |
| HG37-CAL      | Heated Glass Stage Calibration Probe (option)    |
| 9 002 120 155 | Heated Glass Stage glass + 1.5 m cable (option)  |



# LED light source

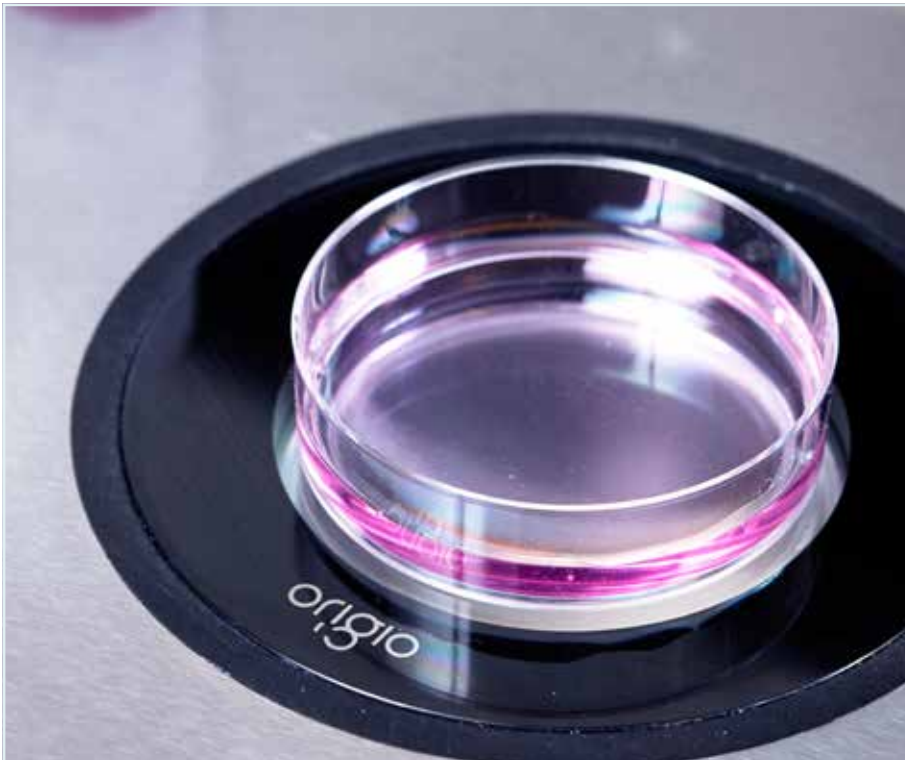


The TLB7000 LED light source with true color reproduction provides the best basis for observing structures.

- TLB7000 LED light source is included in all our IVF workstations that has a heated surface as standard
- Durability: up to 50,000 hours of operation
- Dark field control
- Bright field control (32 steps)
- Optional foot pedal for bright field
- Low power consumption
- Low temperature LED light
- Comfortable for the eyes
- No requirement for fan therefore silent operation
- RoHS compliant (Restriction of Hazardous Substances Directive)
- The 4100K color temperature enables the user to observe structures in their true colors.

## Specifications

- Dimensions: DxWxH in mm  
361.95x173.43x70.43
- Weight (without filter and power cord):  
3.27kg
- Electrical requirements:  
Input: AC 88-250 V, 47-63 Hz  
Max power: 30 Watts
- Fuse: 2.5 A/ 250 V Slow Blow, 5x20 mm
- Operating Environment:  
0°C - 40°C (32°F - 104°F)  
5-95 % relative humidity, non-condensing
- LED:  
Lumens: 1.020 lm  
Lifetime: 50,000 hours at >70% initial brightness  
Color temperature : 4.100 K  
CRI: 80



| Ref. No. | Description                  |
|----------|------------------------------|
| TLBFP    | TLB 7000 foot pedal (option) |

# Microscopes & Micromanipulators

ORIGIO supplies microscopes and manipulators from the following well-renowned producers:



# Warming blocks and glass incubator hoods

Accessories for maintaining the environment

- Different models fitting all sizes of: tubes, culture dishes, syringes, humidifiers and media bottles
- Three glass incubator hoods for gassing culture dishes



9 001 121 100: Package for workstation



Glass incubator hoods from left to right:  
9 001 120 138 , 9 001 120 137, 9 001 120 139

Included in packages

| Ref. No. | Description |
|----------|-------------|
|----------|-------------|

## Packages for workstations

|                      |  |
|----------------------|--|
| <b>9 001 121 100</b> | Recommended Aluminium warming Blocks for Fortuna / Mars 900, 1200,1500,1800 & 1800MP<br>Includes the following products: 1x 9.001.120.115; 9.001.120.120; 9.001.120.125; 9.001.120.127;<br>9.001.120.133; 9.001.120.137; 9.001.120.138; 9.001.120.139  |
| <b>9 001 121 200</b> | Recommended Aluminium warming Blocks for Fortuna / Mars 1800 Dual Stereomicroscope<br>Includes the following products: 1x 9.001.120.120; 9.001.120.125; 9.001.120.127; 9.001.120.133; 9.001.120.138;<br>2x 9.001.120.115; 9.001.120.137; 9.001.120.139 |

## Glass incubator hoods - for gassing culture dishes

|                      |                            |
|----------------------|----------------------------|
| <b>9 001 120 137</b> | Ø 124 mm - height 75 mm    |
| <b>9 001 120 138</b> | Ø 124 mm - height 130 mm   |
| <b>9 001 120 139</b> | Ø 124 mm - height 30-33 mm |

# Warming blocks and glass incubator hoods

| Ref. No.                             | Description  |
|--------------------------------------|--|
| <b>Alu blocks for Test Tubes</b>     |  |
| 9 001 120 115                        | Alu blocks - Round block holds 7 tubes of 17 Ø Falcon  |
| 9 001 120 116                        | Alu blocks - Round block holds 12 tubes of 12 Ø Falcon 352003  |
| 9 001 120 117                        | Alu blocks - Round block holds 4 tubes of 25 mL-23.5 mm Ø  |
| 9 001 120 118                        | Alu blocks - Rectangular block for portable incubator holds 12 tubes 12 mm Ø Falcon 352001               |
| 9 001 120 119                        | Alu blocks - Rectangular block for portable incubator holds 10 tubes Ø 17 mm Ø Falcon 352003/Nunc 343923 |
| 9 001 120 120                        | Alu blocks - Block for swim-up test, 45° angle, holds 2 centrifuge tubes of 17 mm Falcon 352095          |
| <b>Alu blocks for Culture Dishes</b> |  |
| 9 001 120 123                        | Alu blocks - Holds 2 culture dishes - Falcon 353001 & Nunc 150318  |
| 9 001 120 124                        | Alu blocks - Holds 2 60 Ø center well dish - Falcon 353653   |
| 9 001 120 125                        | Alu blocks - Holds 1 60 Ø culture dish - Falcon 353002 and Nunc 150288                                   |
| 9 001 120 126                        | Alu blocks - Holds 1 4-well dish - Falcon 353654   |
| 9 001 120 127                        | Alu blocks - Holds 1 4-well dish - Nunc 176740   |
| <b>Alu blocks for Syringes</b>       |  |
| 9 001 120 130                        | Alu blocks - Hold 5 flushing syringes of 20 mL/22.5 mm   |
| 9 001 120 140                        | Syringe warming block for 2x20 ml standard syringes.   |
| <b>Alu blocks for Media Bottles</b>  |  |
| 9 001 120 133                        | Alu blocks - Holds 1 IVF media flask of 125 mL   |
| 9 001 120 134                        | Alu blocks - Holds 2 media flasks of 60 mL   |



Included in packages



9 001 120 115



9 001 120 116



9 001 120 117



9 001 120 118



9 001 120 119

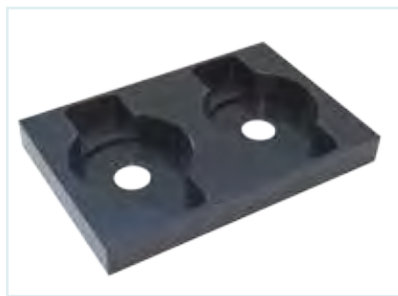
Included in packages



9 001 120 120



9 001 120 123



9 001 120 124

Included in packages



9 001 120 125



9 001 120 126

Included in packages



9 001 120 127

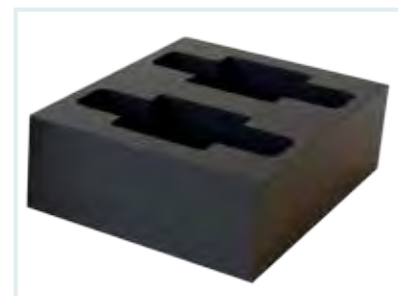


9 001 120 130

Included in packages



9 001 120 133



9 001 120 134



9 001 120 140

# LAF Hoods



A range of Laminar Air Flow (LAF) workstations where sample, and/ or operator protection is required.

- Even curtain of non-turbulent air flow filtered with HEPA filters, H-14 type (offering 99,97% efficiency for 0.3  $\mu\text{m}$  particles).
- Noise level from < 48dBA
- Programmable auto-start and shut-down functions of air flow and built-in features



Titan LAF Benchtop model (above)  
With Support Stand option (left)

## Specifications

- **Fortuna LAF**
- Range: 90-120-150-180 cm available models (approximative width)
- Standard Configuration:
- Surgical Stainless Steel (2mm) work surface
- Toughened glass front window
- Adjustable luminosity
- Fully operated with a microprocessor control panel.
- USB data output
- Electrical outlets
- Fixed support Stand (75-80cm)

### Mars Class II LAF

- Range: 90-120-150-180 cm available models (approximative width)
- Standard Configuration:
- Surgical Stainless Steel (2mm) work surface
  - Electrically adjustable glass front window
  - Adjustable luminosity
  - Fully operated with a microprocessor control panel.
  - USB data output
  - Electrical outlets
  - Fixed support Stand (75-80cm)

### TITAN LAF

66 cm width model

standard Configuration:

- Surgical Stainless Steel (2mm) work surface
- Fully operated with a microprocessor control panel.
- Benchtop model (Support Stand optional)

|   | Models                            |          |          |          |          |        |        |        |   |
|---|-----------------------------------|----------|----------|----------|----------|--------|--------|--------|---|
|   | Fortuna LAF                       |          |          |          | Mars LAF |        |        |        | Titan LAF                                       |
| LAF configuration                               | WF900                             | WF1200   | WF1500   | WF1800   | WM900    | WM1200 | WM1500 | WM1800 | WTLAF   |
| Width in mm                                     | 1016                              | 1321     | 1626     | 1932     | 1003     | 1303   | 1608   | 1913   | 660   |
| Depth in mm                                     | 679                               | 680      | 679      |          | 796      |        |        |        | 373   |
| Height in mm                                    | 2016                              |          |          |          | 2040     |        |        |        | 1022  |
| Standard  | 2 x EL outlet universal           | ●        | ●        | ●        | ●        | ●      | ●      | ●      |   |
|   | 2x USB outlets                    | ●        | ●        | ●        | ●        | ●      | ●      | ●      |   |
|   | UV light tube & protection shield |          |          |          |          | ●      | ●      | ●      | ●   |
|   | 120-240 V                         | ●        | ●        | ●        | ●        | ●      | ●      | ●      | ●   |
|   | Support stand 800-850 mm          | ●        | ●        | ●        | ●        | ●      | ●      | ●      | ●   |
|   | Support stand 750-800 mm          |          |          |          |          |        |        |        | Benchtop version no support stand - see options |
|   | Packing included                  | ●        | ●        | ●        | ●        | ●      | ●      | ●      | ●   |
|   | Earthquake bracket                |          |          |          |          |        |        |        | ●   |
|   | Options                           |          |          |          |          |        |        |        |   |
| Support stand 750-800 mm Ref. no.               | WF7580                            | WF7580   | WF7580   | WF7580   | WM7580   | WM7580 | WM7580 | WM7580 | WT7580  |
| Support stand 900-950 mm Ref. no.               | WF9095                            | WF9095   | WF9095   | WF9095   | WM9095   | WM9095 | WM9095 | WM9095 | WT9095  |
| 1 Castor wheel (4 required) Ref. no.            |                                   |          |          |          |          |        |        |        | ●<br>WT0045                                     |
| UV light tube & protection shield Ref. no.      | WF900UV                           | WF1200UV | WF1500UV | WF1800UV |          |        |        |        |   |
| 1x External 21.5" monitor on a bracket Ref. no. | WF21LCD                           | WF21LCD  | WF21LCD  | WF21LCD  |          |        |        |        |   |

# Anti Vibration Table



Designed to be used with large inverted microscopes during ICSI procedures.

- Tested by an independent testing house, DELTA, for mechanical measurements and vibration
- Exclusively designed for IVF and ICSI procedures
- Constructed in high density steel; adding mass to the table
- Microscope passively damped: placed on a platform that is isolated from the rest of the table plate
- Micromanipulation equipment placed next to the microscope; vibrations from handling the micromanipulator do not transfer to the microscope
- Advantages: does not require air hoses tubes, maintenance or supporting hardware. Uses VIBe™ Series IB isolator bearings; the isolation bearings are mechanical, passive devices that dampen the transmission of vibration

## Specifications

- Dimensions: 780 x 1200 x 790 mm
- Load: 29 -59 kg
- Float: 55 x 35
- Net Weight: 92 kg
- Microscope platform: aluminium plate 550 x 350 mm
- Flat Pack Table top (HxLxW) : 182,5 x 1300 x 970 mm  
Load : +/- 68 Kg
- Flat Pack support stand (Hx Lx W) : 265 x 910 x 887 mm  
Load . +/- 35 kg



**Ref. No.**

**Description**

**9.001.701.752**

Antivibration table Stand alone 1200 mm

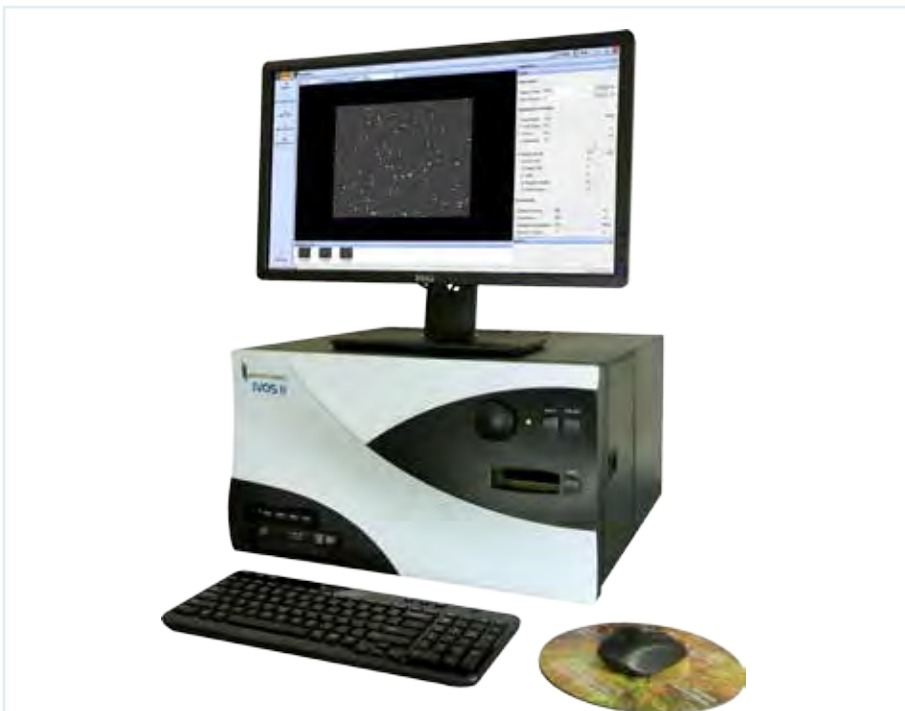


# Computer Assisted Semen Analysis: IVOS® II



Integrated Visual Optical System for accurate and objective sperm analysis

- Rapid analysis - 1/2 second per analysis field ( 30 frames @60Hz)
- Labor saving
- High level data security
- Automation for speed, increased precision and decreased technical variation
- Auto-selection of fields for fastest analysis
- All optics components combined into one integrated unit - the microscope is inside!
- Strobe illumination provides sharpest imaging for real-time quality control
- Automated stage for precise temperature control and sample positioning
- Optional IDENT fluorescence capability



## Specifications

- Dimensions: Height x Width x Depth
  - IVOS: 282 x 515 x 490 mm
  - Monitor: 355-485 x 513 x 183 mm
- Weight:
  - IVOS: 24.9 kg
  - Monitor: 4.6kg
- Features:
  - Integrated optics
  - High speed, computer controlled, heated stage
  - High resolution digital camera
  - High performance, integrated computer with Windows 7 Ultimate
- High definition, 23", 1920 x 1080 wide screen monitor, wireless keyboard and wireless mouse
- Optional: Footswitch and bar code scanner

## Analysis Output

- Counts: Total, Static, Motile, Progressive, Slow
- Sample: Total, Static, Motile, Progressive, Slow (Choice of million or billion)
- Concentration: Total, Static, Motile, Progressive, Slow (Choice of millions/ml or billions/ml)
- Percentages: %Total, %Static, %Motile, %Progressive, %Slow
- W.H.O. Standards: W.H.O. 4 & W.H.O 5 available, Total Concentration, Motility Progressive, Velocity Distribution
- Kinematic Measures: SAP, DSL, DCL, VAP, VSL, VCL, ALH, STR, LIN, BCF, WOB (Average, SD, Median)
- Morph Averages: Head Length, Head Width, Head Perimeter, Head Area.

## Availability

Available only in specific markets, please contact your ORIGIO sales representative for more information.

| Ref. No. | Description  |
|----------|--|
| 790002   | IVOS® II Clinical Basic 10 x NH Analog Camera & Human Clinical Motility Software                 |
| 790202   | IVOS® II Clinical IDENT filter block<br>10 x NH Analog Camera & Human Clinical Motility Software |

# Computer Assisted Semen Analysis: CEROS™ II

Accurate and objective sperm analysis with microscope and camera

- Rapid analysis - 1/2 second per analysis filed ( 30 frames @60Hz)
- Labor savings
- High level data security
- External negative phase contrast microscope (included) saves space - computer can be stored under the lab bench
- Familiar, standard microscope illumination for real-time quality control
- Portable MiniTherm Stage Warmer (optional) maintains samples at 37 ° C
- X-Y stage movement increases number of fields available for motility and morphology analyses

## Specifications

- Dimensions: Height x Width x Depth
  - Mini Tower: 360 x 175 x 417 mm
  - Monitor: 355-485 x 513 x 183 mm
- Weight:
  - Mini Tower: 9.4 kg
  - Monitor: 4.6kg
- Choice of Olympus Cx41 or Zeiss Axio Lab.A1 microscope with a 10x negative phase contrast objective
- High resolution digital camera
- High speed PC with Windows 7 Ultimate
- High definition, 23", 1920 x 1080 wide screen monitor, wireless keyboard and wireless mouse
- Optional: MiniTherm Stage Warmer, footswitch and bar code scanner



## Analysis Output

- Counts: Total, Static, Motile, Progressive, Slow
- Sample: Total, Static, Motile, Progressive, Slow (Choice of million or billion)
- Concentration: Total, Static, Motile, Progressive, Slow (Choice of millions/ml or billions/ml)
- Percentages: %Total, %Static, %Motile, %Progressive, %Slow
- W.H.O. Standards: W.H.O. 4 & W.H.O 5 available, Total Concentration, Motility Progressive, Velocity Distribution
- Kinematic Measures: SAP, DSL, DCL, VAP, VSL, VCL, ALH, STR, LIN, BCF, WOB (Average, SD, Median)
- Morph Averages: Head Length, Head Width, Head Perimeter, Head Area.

## Availability

Available only in specific markets, please contact your ORIGIO sales representative for more information.

| Ref. No. | Description   |
|----------|---|
| 740515   | CEROS® II Clinical - Desktop - Zeiss Lab A1 10 x NH x JAI CM - 040 Digital Camera |
| 740516   | CEROS® II Clinical - Desktop - Olympus 10 x NH x JAI CM - 040 Digital Camera      |
| 740517   | CEROS® II Clinical - Laptop - Zeiss Lab A1 10 x NH x JAI CM - 040 Digital Camera  |
| 740518   | CEROS® II Clinical - Laptop - Olympus 10 x NH x JAI CM - 040 Digital Camera       |

# ORIGIO/PLANER Benchtop Incubator BT37



Designed to maintain consistent culturing environments for optimum temperature and pH control

- Rapid recovery to optimal environment
- Network connectivity for data output
- Base plate of chamber designed to fit commonly used IVF dishes
- Integrated battery backup
- Reduced oxygen culture capability
- The BT37 works with any defined premixed gas of choice to achieve the proper CO<sub>2</sub> and reduced O<sub>2</sub> environment.
- Optional fitted pH monitoring
- Constant monitoring of CO<sub>2</sub> concentration in the chamber



## Specifications

- Temperature range: 5°C above ambient to 40°C
- Temperature accuracy: ±0.2°C
- Operating humidity: 5% to 90% relative humidity non-condensing
- Temperature control accuracy: ± 0.1 °C
- Flow control range: 0 ml/minute to 900 ml/minute.
- Flow accuracy: The greater of ± 10% or ± 0.3 ml/minute
- Weight: 15.5 kg
- Dishes per chamber:
  - 4 x NUNC 4 well dishes;
  - 4 x NUNC 60 mm dishes;
  - 10 x NUNC 30 mm dishes;
  - 4 x MINITUB 5 well dishes;
  - 4 x FALCON 60 mm dishes;
  - 4 x FALCON 60mm single - well "organ culture" dishes

## Regulatory

- CE (0088)
- Cleared by the FDA
- Australia Medical Device licensed

| Ref. No. | Description                             | Dimensions (WxDxH)   |
|----------|---|----------------------|
| BT37     | ORIGIO / PLANER Benchtop Incubator BT37 | 420 x 270 x 210 (mm) |
| AY102295 | Replacement: 6 bottles and 6 filters    |                      |

Note: Monitoring options for BT37 on next page



| Ref. No. | Description |
|----------|-------------|
|----------|-------------|

## Monitoring options for BT37

### Independent CO<sub>2</sub> and Direct monitoring

REASSURE Next Generation Monitoring - ReAssure

### Per chamber CO<sub>2</sub> monitoring

GDREASSURE-CO2-OR CO2 Monitoring starter kit

GDKRYO-CO2-BT37 CO2 Monitoring Sensors per BT37

GDKRYO-BASE-ANALOGUE 8 - Channel analogue input module C4-20mA

### pH monitoring

BT37-PH pH Online Preparation

9.006.000.100 OCTAX Log & Guard monitoring and alarming device

9.006.000.102 OCTAX pH online sensor unit

9.006.000.103 pH Online sensor dish with four wells, sterile

### Independent temperature

PR101648 BT37 Calibration Thermometer (one PT100 probe)



Fully integrated ReAssure Alarm and monitoring system - providing users a complete view of their laboratory environment



OCTAX Log & Guard - The only monitoring and alarming system which has specifically been designed for the needs of A.R.T.



Per Chamber CO<sub>2</sub> monitoring



OCTAX pH online - Continuous pH recording for benchtop incubators

# ORIGIO® Gas Line Filter



The ORIGIO® Gas Line Filter delivers a high level of filtering capacity and is long-lasting with the convenience of snap-on and snap-off fittings.

- Unique impregnated membrane filter design increases surface area for maximum filtering efficiency and longer filter life
- Proprietary two-stage filter of activated carbon & potassium permanganate
- Large HEPA filtration component
- Result – effective filtering for gas lines and a great value

## Regulatory

- CE marked
- Cleared by the FDA



| Ref. No.   | Description   |
|------------|---|
| ULTRA-001  | ORIGIO® Gas Line Filter (quantity 1 per box)                                      |
| ULTRA-BRAC | Magnetic Holding Bracket  |
| ULTRA-FTGS | Quick-Disconnect Fittings Kit<br>(includes intake and output fittings and clamps) |

# Gas analyzer



Accurate incubator verification tool

- Handheld CO<sub>2</sub> & O<sub>2</sub> Gas Analyser
- Quick verification of incubator levels
- Built-in gas moisture removal
- Delivered in a hard carry case



## Specifications

- Large data storage with software 270 readings
- Battery Life: 10 Hours (8 hours pumping)
- CO<sub>2</sub> Accuracy: ± (1% of range + 2% of reading) at reference conditions
- O<sub>2</sub> Accuracy: ±1% Full scale at constant temperature and pressure. ±
- 2% Full scale over operating temperature range.
- Range CO<sub>2</sub>: 0-20%
- Range O<sub>2</sub>: 0-100%
- Weight: 495 gr
- Size: L 165mm, W100mm, D55mm
- Response time, T90: CO<sub>2</sub> ≤20 seconds; O<sub>2</sub> ≤60 seconds



| Ref. No.     | Description  |
|--------------|--|
| G-100-10N    | Handheld CO <sub>2</sub> & O <sub>2</sub> Gas Analyser |
| G-TP5        | Temperature Probe                                      |
| G-PTFE       | Humidity filters, pack of 10 (recommended)             |
| G-MT         | Moisture Trap Filter, pack of 2                        |
| G-BC         | Battery Charger  |
| G-HCASE      | Hard Carry Case Replacement                            |
| G100 SERVICE | Calibration Service                                    |

# Scanfuge Centrifuges



Scanfuge is a line of low speed centrifuges suitable for IVF applications.

**Scanfuge Midi:** a unique autoclavable rotor centrifuge

- Fixed angle rotor
- 6x15ml tubes - adaptors available for 3ml to 14ml
- Digital display setting: RPM/RCF and run-time with count down.
- Automatic door release and alarms for imbalance, over-heat and over-speed

**Scanfuge Maxi:** a unique centrifuge with fixed angle and swing out bucket rotor as well as a large choice of adaptors for test tubes (3ml to 15ml)

- Fixed angle rotor (16x15ml tubes)
- Swing out bucket rotor (6x50ml or 12x15ml tubes)
- A "soft" start/stop function: gentle acceleration and deceleration
- Digital display setting of speeds and run times



## Specifications Midi

- Maximum speed: 4,000 rpm
- Maximum RCF x g: 2,075
- Max capacity: 6x15ml Fixed
- Run time: <100 or continuous
- RPM/RCF conversion: yes
- Noise level (dB): ≤ 52
- Acceleration time to max. speed: ≤ 20 sec.
- Deceleration time to max. speed: ≤ 20 sec.
- Programme Memory: 10
- Parameters on display window: RPM(RCF), Min(Sec)
- Imbalance cutout
- Safety lid lock
- Lid drop protection
- Automatic door release at completion
- Power supply (V/Hz): 220/50~60 (110V optional)
- Power requirement (VA): 140
- Dimensions (WxDxH) mm: 296x412x206
- Weight Without Rotor: 17.5kg

## Specifications Maxi

- Maximum speed / fixed angled: 4,000 rpm, RCF: 2,700 x g
- Maximum speed /swing-out: 4,000 rpm; RCF: 2,774 x g
- Max capacity: fixed angle: 16x15 ml; swing-out: 4 x 100 ml, 32 vacutainer tube, 4 MTPs
- Run time: timed < 100 min or continuous
- RPM/RCF conversion
- Noise level (dB): ≤ 52
- Acceleration time to max. speed: ≤ 20 sec.
- Deceleration time to max. speed: ≤ 20 sec.
- SOFT start/stop
- Programme Memory: 10
- Parameters on display window: RPM(RCF), Min(Sec)
- Imbalance cutout
- Safety lid lock
- Lid drop protection
- Automatic door release at completion
- Power supply (V/Hz): 220/50~60 (110V optional)
- Power requirement (VA): 340
- Dimensions (WxDxH)mm: 375x480x260
- Weight Without Rotor: 19.5kg



| Ref. No. | Description |
|----------|-------------|
|----------|-------------|

**Midi**

|               |                  |
|---------------|------------------|
| 7.607.514.101 | Midi 230 V/60 Hz |
| 7.607.514.801 | Midi 110 V/60 Hz |

**Includes 1 angle rotor and 6 sleeves. Additional sleeves and adaptors – should be ordered as additions**

|               |  |
|---------------|--|
| 7.601.111.070 | Angle Rotor 6x15 ml. GRA-15-6A Includes steel sleeves GLB-15-FA<br>Hole diameter (mm): 18; Max height for tube fit (mm) : 125(120 for conical) |
|---------------|--|



Scanfuge Midi

**Maxi**

|               |                 |
|---------------|-----------------|
| 7.617.514.201 | Maxi 230V/50 Hz |
| 7.617.514.202 | Maxi 110V/60 Hz |

**Swing and angle rotors are not included – should be ordered as additions**

|               |   |
|---------------|---|
| 7.601.111.140 | Swing Rotor 4 loadings GRS-S-50-4 Multiple bucket configurations                                  |
| 7.601.140.000 | Swing Rotor 4 loadings GRS-S-100-4, Multiple bucket configurations                                |
| 7601 111 130  | Angle rotor 16 x 15 ml round or conical tubes GRS-S-15-16A,<br>includes steel sleeves GLB -15 -FA |
| 7601 111 170  | Swing rotor 6 loadings GRS-S-15-16, for Round 15 ml Bucket GLB-15-15                              |



Scanfuge Maxi



**A large number of buckets and adaptors are available, contact your distributor for a complete list.**



# LYKOS™ Laser



Clinical laser system for Trophectoderm Biopsy, Blastomere Biopsy and Laser-Assisted Hatching

- Laser and RED-i target locator built into 40x objective
- High image quality
- Enhanced UV transmission, compatible with stains such as DAPI, Hoechst, and others
- Improved working distance - use with or without heated glass stage
- No laser alignment needed
- Similar in size to standard objectives
- Compatible with all major microscope models



## Specifications

- Standard LYKOS configuration includes:
- 40x objective with built-in Class 1 laser diode (1460 nm) and RED-i Target Locator
  - Proprietary laser software
  - RMS thread adapters for installation on inverted microscopes
  - Laser controller box
  - Color analog or digital camera, with de-magnifier c-mount adapter
  - Choice of high speed, customized desktop system with 20" flat panel monitor or laptop system
  - Remote foot switch for firing laser
  - Only sold in selected markets. Please contact your ORIGIO sales representative for more information

## Regulatory

Caution: For US Clinical Use: Federal law restricts this device to sale by or on the order of a physician or a practitioner trained and certified in its use. Assisted Hatching, Embryo Biopsy and PGD are not recommended for routine use in all IVF patients.



Case contents

| Ref. No. | Description  |
|----------|--|
| 740025   | LYKOS™ Laser System + Analog Camera+ Desktop Computer  |
| 740026   | LYKOS™ Laser System + Digital Camera+ Desktop Computer |
| 740027   | LYKOS™ Laser System + Analog Camera + Laptop Computer  |
| 740028   | LYKOS™ Laser System + Digital Camera + Laptop Computer |

# ZILOS-tk<sup>®</sup> Laser



Clinical laser system for Trophectoderm Biopsy, Blastomere Biopsy and Laser-Assisted Hatching

- Real-time video recording
- Auto-image capture on laser fire
- Thumbnail image capture
- Measurements can be taken on saved images
- Measurements are displayed with value labels
- 2x, 4x, 8x zoom and user-defined image panning
- Calibrate and store multiple objectives
- Option to save overlays with images
- One-click save all images
- Choose which levels of Isotherm Rings™ to display



## Specifications

Standard ZILOS-tk configuration includes:

- Class 1 laser diode, 1460nm, 40x objective-laser combination
  - Proprietary laser software
  - Turret adapters for installation on inverted microscopes
  - Laser controller box
  - Color analog or digital camera, with de-magnifier lens
  - Choice of high speed, customized desktop system with 20" flat panel monitor or laptop system
  - Remote foot switch for firing laser
- Only sold in selected markets.  
Please contact your ORIGIO sales representative for more information

## Regulatory

Caution: For US Clinical Use: Federal law restricts this device to sale by or on the order of a physician or a practitioner trained and certified in its use. Assisted Hatching, Embryo Biopsy and PGD are not recommended for routine use in all IVF patients. Please Note: For animal research and human stem cell applications, the XYClone<sup>®</sup> should be used.



Full set-up



Case contents

| Ref. No. | Description   |
|----------|---|
| 740001   | ZILOS-tk <sup>®</sup> Laser System + Analog Camera+ Desktop Computer  |
| 740002   | ZILOS-tk <sup>®</sup> Laser System + Digital Camera+ Desktop Computer |
| 740003   | ZILOS-tk <sup>®</sup> Laser System + Analog Camera + Laptop Computer  |
| 740004   | ZILOS-tk <sup>®</sup> Laser System + Digital Camera + Laptop Computer |

For electronic witnessing

- Error Prevention: Minimise error and risk of IVF misidentification
- Traceability: Photo record of who, how, where, what and when
- Compliance: Comply with witnessing, labelling and traceability regulations
- Time and cost savings: Replaces manual processing and staff overtime
- Donor bank & Cryo-storage management
- No capital cost - Matcher® fits your procedures and existing lab equipment



| Ref. No. | Description |
|----------|-------------|
|----------|-------------|

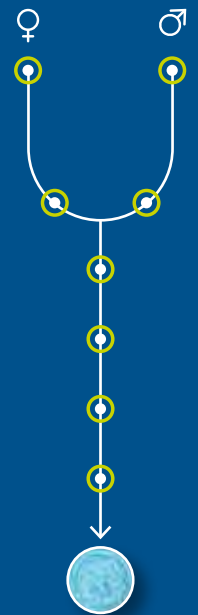
|          |          |
|----------|----------|
| Matcher® | Matcher® |
|----------|----------|



# SAGE™

## ART Media

|                                  |        |
|----------------------------------|--------|
| • <b>Introduction</b>            | p. 93  |
| • <b>Culture Media</b>           | p. 93  |
| SAGE 1-Step™                     | p. 94  |
| Quinn's Advantage™               |        |
| Sequential Culture Media         | p. 95  |
| In Vitro Maturation Media        | p. 96  |
| • <b>Protein</b>                 | p. 98  |
| Human Albumin                    | p. 98  |
| QA SPS Serum Protein Substitute  | p. 98  |
| • <b>Cryopreservation Media</b>  | p. 99  |
| CSC Media                        | p. 99  |
| QA Embryo Freeze Kit             | p. 100 |
| QA Blastocyst Freeze Kit         | p. 101 |
| QA Thaw Kit                      | p. 101 |
| SAGE Vitrification Kit           | p. 102 |
| SAGE Vitrification Warming Kit   | p. 102 |
| • <b>Micromanipulation Media</b> | p. 103 |
| Polyvinylpyrrolidone (PVP)       | p. 103 |
| Hyaluronidase                    | p. 103 |
| Oil for Tissue Culture           | p. 104 |
| Phosphate Buffered Saline (PBS)  | p. 104 |
| QA Medium with HEPES             | p. 105 |
| • <b>Andrology Media</b>         | p. 106 |
| Quinn's™ Sperm Washing Media     | p. 106 |
| PureCeption™                     | p. 107 |
| QA Sperm Freezing Medium         | p. 108 |



Product specification and directions for use are available on the product pages of the website [www.origio.com](http://www.origio.com)

SAGE has provided infertility specialists with consistent product quality and reliability for over 20 years. All SAGE products are held to tight production tolerance and rigorous quality control. Please take some time to read the Quality Control Statement. We are confident you will be impressed with our commitment to design and quality that will help you in delivering the outcomes you desire.

SAGE is today a brand of ORIGIO, the ART company in the CooperSurgical group.

Together, ORIGIO and SAGE provide the most comprehensive product line to service ART professionals, complemented by professional support, training and education capabilities.

# Introduction

## SAGE Assisted Reproduction Products™

All SAGE products are held to tight production tolerances and rigorous quality control methodologies for product acceptance. Inherent with this are the validated design and production process specifications, ensuring consistent product quality and reliability.

## Toxicity Testing

Endotoxin batch testing must achieve a pass level of <1.0 EU/ml for media products. Certificates are available online.

## SAGE Media™

SAGE Assisted Reproduction Products have served as the premier resource for a comprehensive line of innovative media products, SAGE Media™, that reflect consistent quality, reliability and exceptional value. Its core competencies and resources have been, and still are, specifically aimed at IVF culture media and andrology products used in IVF laboratories worldwide. All IVF products are produced in compliance with Quality System Requirements (QSR's). SAGE's company-wide Quality Management System complies with the requirements of ISO 13485:2012.

Focus is placed on optimizing every step in manufacturing, quality assurance, and safety testing to ensure products meet or exceed specification.

The result for our customers is consistent and reliable performance for all SAGE Media products.

- Ongoing research and development led by renowned scientists in media development
- A rigorous quality assurance methodology that delivers quality and consistency
- Use of one-cell mouse embryo bioassay (MEA)
- All phases of media production, testing and distribution are performed to facilitate our complete control over product quality and reliability

## Validation of Sterility Assurance Level (SAL10<sup>-3</sup>) for the aseptic filling of liquid products through:

- Initial performance qualifications
- Periodic re-qualification tests which conform to stringent international standards

## Quality Control Testing Program

- Incoming raw materials are held in quarantine until QC tested for endotoxin
- IVF culture media are tested for pH and osmolality prior to filling
- Materials and products are removed from the aseptic filling suite, and all horizontal surfaces are disinfected to continually maintain sterility
- Finished products are tested for defined attributes (Finished Product Specification) and sterility prior to distribution

## State-of-the-art environmental monitoring before, during, and after each filling procedure

- Sterilization filters are washed with purified water before every use and are integrity tested before and after each filling process. A testing failure after filling procedure results in immediate discarding of filled product

# SAGE 1-Step™



A single step medium for uninterrupted embryo culture

- Formulation developed in consultancy with Dr. Patrick Quinn
- Allowing for uninterrupted culture following IVF or ICSI insemination through to the blastocyst stage
- Ideal for time lapse systems



## Composition

- Magnesium sulphate
- Potassium chloride
- Potassium phosphate
- Sodium chloride
- Amino acids
- L-alanyl-L-glutamine
- Calcium-L-lactate
- Glucose
- Sodium pyruvate
- Sodium bicarbonate
- EDTA
- Gentamicin
- Phenol red

SAGE 1-Step™ with HSA (6701) only:

- Sodium hyaluronate
- Human Serum Albumin

SAGE 1-Step™ with SPS (6702) only:

- Serum Protein Supplement (SPS)

| Ref. No. | Description                           | Size  | Shelf life guarantee* |
|----------|---------------------------------------|-------|-----------------------|
| 67010010 | SAGE 1-Step™, with HSA and phenol red | 10 ml | Min. 8 weeks          |
| 67010060 | SAGE 1-Step™, with HSA and phenol red | 60 ml | Min. 8 weeks          |
| 67020010 | SAGE 1-Step™, with SPS and phenol red | 10 ml | Min. 8 weeks          |
| 67020060 | SAGE 1-Step™, with SPS and phenol red | 60 ml | Min. 8 weeks          |

## Quality control testing

- Sterility tested (Ph. Eur., USP)
- Osmolality tested (Ph. Eur., USP)
- pH tested (Ph. Eur., USP)
- Endotoxin tested < 0.15 EU/ml (Ph. Eur., USP)
- Mouse Embryo Assay (MEA)

## Regulatory

6701 only: CE marked (CE 0543)

6701 and 6702:

- Cleared by the FDA
- Canada Medical Device licensed

\* Minimum time to expiry (from date of shipment from Denmark)

# Quinn's Advantage™ Sequential Culture Media

The Quinn's Advantage Sequential Media System is designed to combine the most beneficial components of currently available media formulations to emulate the *in vivo* conditions of the embryo during development to the blastocyst stage. The Quinn's Advantage Sequential Media product line was the first clinically proven sequential media system designed to optimize the *in vitro* environment for embryo development<sup>1</sup>.

- Alanyl-glutamine, a stable form of glutamine that does not break down into ammonium, also provides alanine and glutamine for embryo development
- Taurine, acts as an anti-oxidant, minimizing extreme effects on cell metabolism
- Clinically proven to provide improved cleavage rates, reduced embryo fragmentation, improved morphological scores, and produce more embryos for transfer and cryopreservation<sup>1</sup>



| REF#     | Description                                  | Size   |
|----------|--|--------|
| ART-1020 | Quinn's Advantage Fertilization (HTF) Medium | 50 mL  |
| ART-1021 | Quinn's Advantage Fertilization (HTF) Medium | 100 mL |
| ART-1026 | Quinn's Advantage Cleavage Medium            | 50 mL  |
| ART-1027 | Quinn's Advantage Cleavage Medium            | 100 mL |
| ART-1029 | Quinn's Advantage Blastocyst Medium          | 50 mL  |

## Quinn's Advantage™ Protein Plus Media

Provides the same main benefits as the original Quinn's Advantage Media series with a slightly improved formulation. Protein has been added to these media providing additional benefits:

- Complete ready-to-use medium, requiring no further supplementation by the user
- Designed to be used in a 5% to 6% CO<sub>2</sub> environment to obtain pH close to the recommended levels
- Cost-efficient 20 mL configuration which also minimizes the risk of microbial contamination



| REF#     | Description   | Size  |
|----------|---|-------|
| ART-1520 | Quinn's Advantage Protein Plus Fertilization (HTF) Medium | 20 mL |
| ART-1526 | Quinn's Advantage Protein Plus Cleavage Medium            | 20 mL |
| ART-1529 | Quinn's Advantage Protein Plus Blastocyst Medium          | 20 mL |

1 COOKE S, QUINN P, KIME L, AYRES C, TYLER JPP, DRISCOLL GL (2002) Improvement in early human embryo development using new formulation sequential stage-specific culture media. Fertil. Steril., 78, 1254-1260.

# In Vitro Maturation Media

## In Vitro Maturation Media

SAGE *In Vitro* Maturation Media is for the *in vitro* maturation of immature oocytes, subsequent fertilization and embryo development. This media kit enables the culture of immature oocytes to fully developed embryos suitable for transfer. For both the patients and clinician, this innovation opens the door to an enhanced culturing methodology that offers new treatment options.

### Patient Profile

- Women with Polycystic Ovarian Syndrome (PCOS)
- Women who want to undergo a natural cycle IVF procedure by avoiding stimulating hormones
- Women wanting to avoid the potential risk of fertility drug use such as OHSS patients and patients having undergone repeated stimulation cycles

### Clinical Results\*:

- Cycles: 550
- Oocyte Maturation: 75% - 80%
- Clinical Pregnancy Rate: 35% - 40% per embryo transfer
- Live Births: 115

| REF#     | Description                   | Size      |
|----------|-------------------------------|-----------|
| ART-1600 | In Vitro Maturation Media Kit |           |
|          | Oocyte Washing Medium         | 1 x 50 mL |
|          | Oocyte Maturation Medium      | 1 x 20 mL |
|          | Embryo Maintenance Medium     | 1 x 5 mL  |



\* Data on file at CooperSurgical, Inc



## Media Formulations for SAGE Media™ Products

| Catalog Number<br>SAGE Media™ Product        | ART-1020/1021<br>Fertilization (HTF) | ART-1026/1027<br>Cleavage | ART-1029<br>Blastocyst | ART 1600       |                      |                       |
|--|--------------------------------------|---------------------------|------------------------|----------------|----------------------|-----------------------|
|  |                                      |                           |                        | IVM<br>Washing | Oocyte<br>Maturation | Embryo<br>Maintenance |
| Basic Media Components                       | X                                    | X                         | X                      | X              | X                    | X                     |
| Non-Essential Amino Acids                    | X                                    | X                         | X                      | X              | X                    | X                     |
| Essential Amino Acids                        |                                      |                           | X                      | X              | X                    | X                     |
| Vitamins                                     |                                      |                           | X                      | X              |                      |                       |
| Magnesium Sulfate<br>Heptahydrate            | X                                    | X                         | X                      | X              | X                    |                       |
| Magnesium Chloride                           |                                      |                           |                        |                |                      | X                     |
| Potassium Phosphate,<br>Monobasic, Anhydrous | X                                    |                           | X                      |                |                      |                       |
| Sodium Phosphate                             |                                      |                           |                        | X              | X                    | X                     |
| Calcium Chloride                             |                                      |                           |                        | X              | X                    | X                     |
| HEPES  |                                      |                           |                        | X              |                      |                       |
| Calcium Lactate, (L+)                        | X                                    | X                         | X                      |                |                      |                       |
| Taurine                                      | X                                    | X                         | X                      |                |                      |                       |
| Cysteamine                                   |                                      |                           |                        |                |                      | X                     |
| L-Cysteine                                   |                                      |                           |                        |                |                      | X                     |
| Sodium Lactate                               |                                      |                           |                        |                |                      | X                     |
| Citric Acid                                  | X                                    | X                         |                        |                |                      |                       |
| EDTA   | X                                    | X                         |                        |                |                      |                       |
| Plasma Protein Fraction                      |                                      |                           |                        | X              | X                    | X                     |

### Basic Media Components

Sodium Chloride  
Potassium Chloride  
Sodium Bicarbonate  
Glucose, D- (+)  
Sodium Pyruvate  
Phenol Red  
Gentamicin

### Non-Essential Amino Acids

Alanyl-Glutamine  
Asparagine  
Aspartic Acid  
Glycine  
Proline  
Serine

### Essential Amino Acids

Arginine  
Cystine, Dihydrochloride  
Histidine  
Isoleucine  
Leucine  
Lysine  
Methionine  
Phenylalanine  
Threonine  
Tryptophan  
Tyrosine  
Valine

### Vitamins

D-Calcium Pantothenate  
Choline Chloride  
Folic Acid  
i-Inositol  
Nicotinamide  
Pyridoxine, HCl  
Riboflavin  
Thiamine

# Protein

## Human Albumin

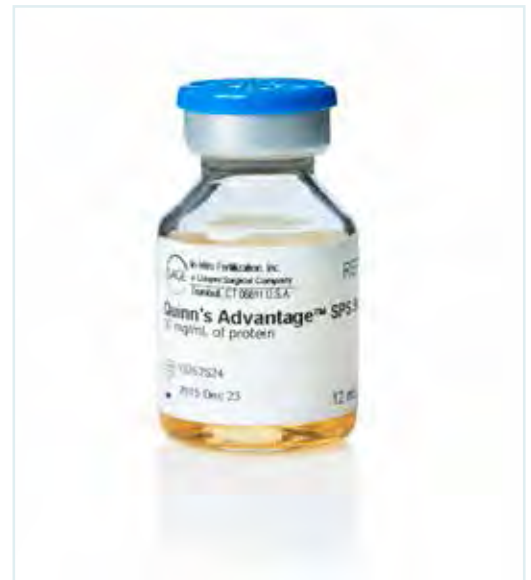
Used as a tissue culture protein supplement.

| REF#     | Description                              | Size      |
|----------|--|-----------|
| ART-3001 | Human Albumin 100 mg/mL in Normal Saline | 12 x 5 mL |
| ART-3003 | Human Albumin 100 mg/mL in Normal Saline | 100 mL    |

## Quinn's Advantage™ SPS Serum Protein Substitute

A protein supplement that provides the beneficial growth-promoting activities of albumin and  $\alpha$ - and  $\beta$ -globulins.

- Filter-sterilized, tested for pH, osmolarity and endotoxins
- One-cell mouse embryo tested
- Ready to use



| REF#     | Description                                    | Size       |
|----------|--|------------|
| ART-3010 | Quinn's Advantage SPS Serum Protein Substitute | 12 x 12 mL |
| ART-3011 | Quinn's Advantage SPS Serum Protein Substitute | 100 mL     |

Contains 50 mg/mL total protein (weight/volume) in saline solution; the protein is in the form of 88% normal human albumin and 12%  $\alpha$ - and  $\beta$ -globulins.

# Cryopreservation Media

## CSC Media - (Choline Substituted Cryopreservation)

CSC Media enables the cryopreservation of oocytes and embryos using slow freeze methodology. Its formulation contains choline chloride in place of sodium chloride. CSC Thawing Media is the companion product used to thaw oocytes and embryos previously frozen with CSC Freezing Media.

### Product Use

- Europe: oocytes
- U.S: embryos

### Product Contents

| Medium Type                                    | CSC | Conventional |               |
|--|-----|--------------|---------------|
| <b>Intact Embryos</b>                          |     |              |               |
| Number of experiments                          | 20  | 10           |               |
| Embryos with $\geq 50\%$ blastomeres intact, % | 94  | 78           | $P \leq 0.03$ |
| <b>Biopsied Embryos</b>                        |     |              |               |
| Number of experiments                          | 12  | 15           |               |
| Embryos with $\geq 50\%$ blastomeres intact, % | 94  | 51           | $P < 0.0001$  |

Choline-based medium vs. conventional (Stachecki et al., Reprod BioMed online 11:711, 2005)

| REF#     | Description   | Size                             |
|----------|---|----------------------------------|
| ART-8017 | CSC Freezing Medium-Choline Substituted Cryopreservation Freezing Medium  | 1 x 10 mL                        |
| ART-8018 | CSC Thawing Medium Kit-Choline Substituted Cryopreservation<br>CSC Thawing Medium 0.5 M Sucrose<br>CSC Thawing Medium 0.2 M Sucrose<br>Wash Medium HEPES Buffered HTF | 4 x 2 mL<br>4 x 2 mL<br>4 x 4 mL |

Note: Sale of Oocyte Freezing Media is not cleared in the U.S.



# Cryopreservation Media

## Embryo Cryopreservation Media

SAGE Embryo Cryopreservation Media are designed for the preparation and protection of embryos through the blastocyst stage during the freeze and thaw process.

- Twelve month shelf life
- Easy two-step process
- Up to 97% survival rates in both cleavage stage embryos and blastocysts

## Quinn's Advantage™ Embryo Freeze Kit

Developed for use in freezing pronuclear and cleavage stage embryos.

Materials provided in the kit:

- 1.5 M Propanediol, 0.1 M Sucrose 2 x 12 mL Freezing Medium with 12 mg/mL Human Serum Albumin
- 1.5 M Propanediol Freezing Medium with 12 mg/mL Human Serum Albumin 2 x 12 mL
- Cryokit Diluent Solution with 12 mg/mL Human Serum Albumin 1 x 12 mL

| REF#     | Description  | Size      |
|----------|--|-----------|
| ART-8014 | Quinn's Advantage Embryo Freeze Kit<br>(10 Determinations) | 5 x 12 mL |



# Cryopreservation Media

## Embryo Cryopreservation Media

### Quinn's Advantage™ Blastocyst Freeze Kit

Developed for the efficient freezing of blastocyst-stage embryos.

Materials provided in the kit:

- 5% Glycerol Freezing Medium with 12 mg/mL Human Serum Albumin 1 x 12 mL
- 9% Glycerol with 0.2 M Sucrose Freezing Medium with 12 mg/mL Human Serum Albumin 1 x 12 mL
- Cryokit Solution with 12 mg/mL Human Serum Albumin 1 x 12 mL



| REF#     | Description  | Size      |
|----------|--|-----------|
| ART-8015 | Quinn's Advantage Blastocyst Freeze Kit<br>(10 Determinations) | 3 x 12 mL |

### Quinn's Advantage™ Thaw Kit

Developed for the efficient thawing of pronuclear, cleavage-stage embryos and blastocysts.

Materials provided in the kit:

- 0.5 M Sucrose Thawing Medium with 12 mg/mL Human Serum Albumin 1 x 12 mL
- 0.2 M Sucrose Thawing Medium with 12 mg/mL Human Serum Albumin 1 x 12 mL
- Cryokit Diluent Solution with 12 mg/mL Human Serum Albumin 1 x 12 mL

| REF#     | Description                                       | Size      |
|----------|---|-----------|
| ART-8016 | Quinn's Advantage Thaw Kit<br>(10 Determinations) | 3 x 12 mL |



## SAGE Vitrification Solution

SAGE vitrification solutions enable ultra-rapid cooling and recovery of human blastocysts. With vitrification, ice crystal formation is eliminated resulting in increased human blastocyst survival rates. Our vitrification solutions can be used in cryopreservation of blastocysts in an IVF program to facilitate donor programs and provide a variety of fertility options for women undergoing various treatments.

- MOPS-buffered formulation of HTF Medium uses proven formulation strategies consistent with the Quinn's Advantage Series of ART products<sup>2</sup>
- Blastocyst survival rates of 96% with vitrification vs. 91% for slow freezing<sup>3</sup>
- Increasing human blastocyst survival rates facilitates donor program growth
- Vitrification enables you to preserve life and provide fertility options for women

<sup>2</sup> QUINN P, (2003) Media used in the assisted reproductive technologies laboratories. In: A Color Atlas for Human Assisted Reproduction: Laboratory and Clinical Insights. Eds P. Patrizio, M.J. Tucker, V. Guelman, Lippincott Williams & Wilkins, Philadelphia, Chapt. 15, pp 241-256.

<sup>3</sup> LIEBERMANN J, TUCKER MJ. (2006) Comparison of vitrification and conventional cryopreservation of day 5 and day 6 blastocysts during clinical application. Fertil Steril 86:20-26.

# Cryopreservation Media

## Quality Assurance Tests:

- Endotoxin
- Biocompatibility by the one-cell mouse embryo assay (MEA)
- Sterility by the current USP Sterility Test <71>

## SAGE Vitrification Kit

The Vitrification Kit is intended for the ultra-rapid vitrification of human blastocysts in ART procedures. This kit is designed to be used in conjunction with the SAGE IVF Vitrification Warming Kit for warming and recovery of specimens.

Equilibration Solution (ART-8025-A) is a MOPS buffered solution of modified HTF containing non-essential and essential amino acids, gentamicin sulfate (0.01 g/L), 7.5% (v/v) each of DMSO and ethylene glycol, and 12 mg/mL human albumin.

Vitrification Solution (ART-8025-B) is a MOPS buffered solution of modified HTF containing non-essential and essential amino acids, gentamicin sulfate (0.01 g/L), 15% (v/v) each of DMSO and ethylene glycol, 12 mg/mL human albumin, and 0.6 M sucrose.

| REF#     | Description  | Size     |
|----------|--|----------|
| ART-8025 | SAGE Vitrification Kit includes:<br>Equilibration Solution | 1 x 2 mL |
|          | Vitrification Solution                                     | 1 x 2 mL |



## SAGE Vitrification Warming Kit

Vitrification Warming Kit consists of three solutions: 1.0 M Sucrose Warming Solution, 0.5 M Sucrose Warming Solution and MOPS Solution which are all intended to be used sequentially in the warming and recovery of vitrified human blastocysts. These products are intended for the recovery of human blastocysts that have been vitrified using the Sage IVF Vitrification Kit.

1.0 M Sucrose Warming Solution (ART-8030-A) is a MOPS buffered solution of modified HTF containing non-essential and essential amino acids, gentamicin sulfate (0.01 g/L), 1.0 M sucrose and 12 mg/mL human albumin.

0.5 M Sucrose Warming Solution (ART-8030-B) is a MOPS buffered solution of modified HTF containing non-essential and essential amino acids, gentamicin sulfate (0.01 g/L), 0.5 M sucrose and 12 mg/mL human albumin.

MOPS Solution (ART-8030-C) is a MOPS buffered solution of modified HTF containing non-essential and essential amino acids, gentamicin sulfate (0.01 g/L) and 12 mg/mL human albumin.

| REF#     | Description  | Size     |
|----------|--|----------|
| ART-8030 | SAGE Vitrification Warming Kit includes:<br>1.0 M Sucrose Warming Solution | 1 x 4 mL |
|          | 0.5 M Sucrose Warming Solution   | 1 x 2 mL |
|          | MOPS Solution  | 1 x 6 mL |



# Micromanipulation Media

SAGE Media™ Micromanipulation Media are designed to facilitate the *in vitro* preparation of gametes prior to micromanipulative procedures such as intracytoplasmic sperm injection (ICSI). All of our micromanipulation media are one-cell fresh mouse embryo quality controlled.

## Polyvinylpyrrolidone (PVP)

PVP of 360,000 average molecular weight has been used for the ICSI procedure to decrease the motility of spermatozoa, prevent their sticking to the injection pipette during the procedure, and to give more control over the flow of fluid in the ICSI needle.<sup>4</sup>

- PVP at 7% concentration yields a viscosity that is suitable for sperm function as well as improved visibility to detect sperm.

| REF#       | Description                   | Size       |
|------------|-------------------------------|------------|
| ART-4005-A | PVP 7% Ready-To-Use Solution  | 6 x 0.5 mL |
| ART-4006-A | PVP 10% Ready-To-Use Solution | 6 x 0.5 mL |

Contains PVP with an average molecular weight of 360,000 in HEPES-HTF, 5 mg/mL human serum albumin and filtered through a sterile 0.2-µm filter.

## Hyaluronidase

Enzyme that attacks the hexosamine linkage of hyaluronic acid, the glycosaminoglycan that makes up the extra cellular matrix holding cumulus cells together.

| REF#       | Description                        | Size       |
|------------|------------------------------------|------------|
| ART-4007-A | Hyaluronidase 80 U/mL in HEPES-HTF | 6 x 1.0 mL |

Contains bovine testis hyaluronidase at 80 U/mL in HEPES-HTF with 5 mg/mL human serum albumin.



4 PALERMO, et al. (1993) Fertil. Steril., 59, 826-835.

\* Minimum time to expiry (from date of manufacturing)

# Micromanipulation Media

## Oil for Tissue Culture

Intended for use in laboratory procedures that may require small volumes of tissue culture medium to be covered with a relatively inert, nonmiscible liquid component that allows diffusion of gases.

| REF#        | Description                                   | Size   |
|-------------|---|--------|
| ART-4008    | Oil for Tissue Culture in Glass Bottle        | 100 mL |
| ART-4008-5  | Oil for Tissue Culture in Glass Bottle        | 500 mL |
| ART-4008P   | Oil for Tissue Culture in PET Plastic Bottle  | 100 mL |
| ART-4008-5P | Oil for Tissue Culture in PET Plastic Bottle  | 500 mL |
| ART-4009W   | Washed Oil for Tissue Culture in Glass Bottle | 100 mL |
| ART-4009-5W | Washed Oil for Tissue Culture in Glass Bottle | 500 mL |

Contains liquid petroleum/paraffin oil/mineral oil with an optimal viscosity for embryo handling and culture. 0.2- $\mu$ m sterile filtered.



## Phosphate Buffered Saline (PBS)

Developed for *in vitro* procedures involving the use of an isotonic solution with buffering capacity in the physiological range of vertebrate cells and tissues.

| REF#     | Description   | Size   |
|----------|---|--------|
| ART-4011 | Phosphate Buffered Saline without Ca, Mg, Glucose, Pyruvate, Phenol Red | 500 mL |
| ART-4012 | Phosphate Buffered Saline with Ca, Mg, Glucose, Pyruvate, Phenol Red    | 500 mL |

Contains: sodium chloride, potassium chloride, potassium phosphate, monobasic, anhydrous, sodium phosphate, dibasic, anhydrous.





# Micromanipulation Media

## Quinn's Advantage™ Medium with HEPES (Ca/Mg-free)

Clinically proven to facilitate micromanipulation of human embryos and gametes.<sup>7,8,9</sup>

- Loosens adhesions between blastomeres to facilitate removal
- Decreases manual manipulation times resulting in less cell damage
- No adverse effects on embryonic development to blastocyst stage
- Shown to be a critical factor in successful micromanipulation
- Can be used in human embryos at the 4-10 cell stage

| REF#     | Description                                      | Size      |
|----------|--|-----------|
| ART-4100 | Quinn's Advantage Medium with HEPES (Ca/Mg free) | 4 x 12 mL |

Contains: sodium chloride, potassium chloride, potassium phosphate, sodium bicarbonate, HEPES, glucose, sodium pyruvate, sodium lactate (DL), alanyl-glutamine, EDTA, gentamicin, phenol red.

## Quinn's Advantage™ Medium with HEPES

For *in vitro* procedures involving manipulation of gametes and embryos not requiring the use of a CO<sub>2</sub> incubator\*. HEPES buffered HTF has the same components and advantages of our Quinn's Advantage™ Fertilization Medium.

| REF#     | Description                         | Size   |
|----------|-------------------------------------|--------|
| ART-1023 | Quinn's Advantage Medium with HEPES | 100 mL |
| ART-1024 | Quinn's Advantage Medium with HEPES | 500 mL |



7 DUMOULIN JCM, BRAS M, COONEN E., et al. (1998) Effect of Ca/Mg free medium on the biopsy procedure for preimplantation genetic diagnosis and further development of human embryos. Hum. Reprod., 13, 2880-2883.

8 SANTALLO J, GROSSMAN M, EGOZCUE J (1996) Does Ca/Mg free medium have an effect on the survival of the preimplantation ...after biopsy., Hum. Reprod., 12, 257-261.

9 GRIFO JA, BOYLE A, FISHER E, et al. (1990) preEmbryo and analysis of blastomeres by in situ hybriditation, Obstet. Gyn., 163, 2013-2019.

\*e.g. Oocyte retrieval, ICSI, embryo transfer, etc.

# Andrology Media

SAGE offers a complete line of andrology products designed to set new standards in quality and consistency.

## Sperm Washing & Separation Media

### Quinn's™ Sperm Washing Media

A modification of HEPES-buffered human tubal fluid, Quinn's Sperm Washing Medium was specifically developed for *in vitro* procedures involving sperm washing, handling and incubation.<sup>10</sup>

| REF#     | Description                                      | Size       |
|----------|--|------------|
| ART-1005 | Quinn's Sperm Washing Medium                     | 12 x 12 mL |
| ART-1006 | Quinn's Sperm Washing Medium                     | 100 mL     |
| ART-1012 | Quinn's Sperm Washing Medium without Antibiotics | 12 x 12 mL |

Contains: sodium chloride, potassium chloride, magnesium sulfate; potassium phosphate, anhydrous, calcium chloride; sodium bicarbonate, HEPES, glucose, sodium pyruvate, sodium lactate (DL), alanyl-glutamine, taurine, EDTA, gentamicin, phenol red, human serum albumin, 5 mg/mL. QUINN'S Sperm Washing Medium without Antibiotics contains all of the above except gentamicin.



10 KERIN J, QUINN P (1987) Washed intrauterine insemination in the treatment of oligospermic infertility. *Sem. Reprod. Endo.*, 5:23-33

## PureCeption™

An 80% (v/v) or 40% (v/v) sterile colloidal suspension of silica particles stabilized with covalently bound hydrophilic silane formulated in HEPES-buffered human tubal fluid. Also available as a 100% isotonic solution. The kit components facilitate highly efficient separation of motile sperm from the ejaculate of most semen specimens.

- Sterile-filtered to remove particulates, improve stability, enhance performance and avoid sedimentation
- Tested using one-cell mouse embryo bioassay and endotoxin assays to ensure quality and safety

### New concentrations for optimal performance

- Clinical studies suggest higher recovery of total sperm count and total motile sperm count with 40% upper and 80% lower densities<sup>11</sup>
- 37% improvement in recovery rate of mature motile sperm versus 47% over 90% gradients<sup>12</sup>

### Contains taurine and EDTA, beneficial components for sperm quality

- Taurine has a role in sperm capacitation and has demonstrated a protective effect against peroxidative damage and reactive oxygen species<sup>12, 13</sup>
- EDTA chelates toxic divalent cations<sup>14</sup>
- Addition of antioxidants significantly decreases the amount of DNA damage<sup>13</sup>



| REF#     | Description  | Size       |
|----------|--|------------|
| ART-2004 | PureCeption 4 - Determination Kit with Sperm Washing Medium  | 3 x 12 mL  |
| ART-2016 | PureCeption 16 - Determination Kit with Sperm Washing Medium | 12 x 12 mL |
| ART-2024 | PureCeption 24 - Determination Bi-Layer Kit                  | 12 x 12 mL |
| ART-2040 | PureCeption 40% Upper Phase                                  | 100 mL     |
| ART-2080 | PureCeption 80% Lower Phase                                  | 100 mL     |
| ART-2100 | PureCeption 100% Isotonic Solution                           | 100 mL     |

11 RANGANATHAN P, AGARWAL A (2001) Paper presented at: 7th International Conference of Andrology, Montreal, Quebec, Canada.

12 MORTIMER D (1986) Hum. Reprod., 1, 247-250.

13 GUERIN P, GILLIAN J, MENEZO Y (1995) Hum. Reprod., 10, 866-872.

14 QUINN P (1995) Assisted Reprod. Genet., 12, 97-105.

# Andrology Media

## Quinn's Advantage™ Sperm Freezing Medium

A HEPES-buffered salt solution containing 10 mg/mL human serum albumin, glycerol and sucrose as the cryoprotective agents (CPA), and gentamicin as an antibiotic. Designed to allow optimal protection of sperm during the freeze-thaw process.<sup>15</sup> Clinically designed and proven to give improved sperm motility parameters and greater post-thaw motility versus TYB.<sup>16</sup>

| REF#     | Description                             | Size      |
|----------|---|-----------|
| ART-8022 | Quinn's Advantage Sperm Freezing Medium | 6 x 12 mL |

Contains: sodium chloride, potassium chloride, magnesium sulfate, potassium phosphate, anhydrous, calcium chloride dihydrate, sucrose, sodium bicarbonate, HEPES, glucose, sodium pyruvate, sodium lactate (DL), glutamine, EDTA, phenol red, human serum albumin, glycerol, and gentamicin.



- 15 WOLF D, PATTON PE, BURRY KA, KAPLAN PF (2001) Intrauterine insemination-ready versus conventional semen cryopreservation for donor insemination; a comparison of retrospective results and a prospective, randomized trial. *Fertil. Steril.* 76, 181-185.
- 16 QUINN P (2001) Superiority of a yolk-free human sperm freezing medium. IFFS 2001 Selected Free Communications. Melbourne, Australia, Nov. 25-30, 2001. Monduzzi Editore, 2001. 281-286.
- Additional resource information:
- QUINN P, HARLOW GM (1978). The effect of oxygen on the development of preimplantation mouse embryos in vitro. *J. Exp. Zool.* 206, 73-80.
- QUINN P, BARROS C, WHITTINGHAM DG (1982). Preservation of hamster oocytes to assay the fertilizing capacity of human spermatozoa. *J. Reprod. Fertil.*, 66, 161-168.
- QUINN P (1994). Use of co-culture with cumulus cells in insemination medium in human IVF. *J Assisted Reprod Genetics*, 11, 270-277.
- QUINN P, MOINIPANAH R, STEINBERG JM, WEATHERSBEE PS (1995). Successful human IVF using a modified HTF medium lacking glucose and phosphate ions. *Fertil Steril* 63, 922-924.
- QUINN P (1995). Enhanced results in mouse and human embryo culture using a modified human tubal fluid medium lacking glucose and phosphate. *J Assisted Reprod Genetics*, 12, 97-105.
- QUINN P, LYDIC ML, HO M, BASTUBA M, HENDEE F, BRODY SA (1998) Confirmation of the beneficial effects of brief coincubation of gametes in human in vitro fertilization. *Fertil. Steril.*, 69, 399-402.
- QUINN P, HORSTMAN FC (1998) Is the mouse a good model for the human with respect to the development of the preimplantation embryo in vitro? *Human Reprod.*, 13, Suppl 4, 173-183.
- QUINN P (2000) Review of media used in ART laboratories. *J. Androl.*, 21, 610-615.
- QUINN P (2003) Media used in the assisted reproductive technologies laboratories. In: *A Color Atlas for Human Assisted Reproduction: Laboratory and Clinical Insights*. Eds P. Patrizio, M.J. Tucker, V. Guelman, Lippincott Williams & Wilkins, Philadelphia, Chapt 15, pp 241-256.
- QUINN P (2004) The development and impact of culture media for assisted reproductive technologies. *Fertil. Steril.*, 81, 27-29
- QUINN P, COOKE S (2004) Equivalency of culture media for human in vitro fertilization formulated to have the same pH under an atmosphere containing 5% or 6% carbon dioxide. *Fertil. Steril.*, 81, 1502-1506.

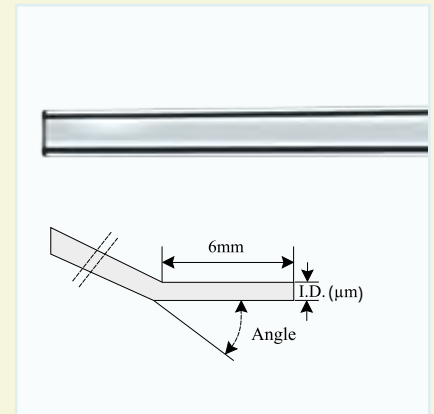
# Piezo Drill

## Research Tools

These tools should be used according to their intended use in officially approved research projects.

Piezo Drill microtools are made to fit the piezo-based micromanipulator. Often used for ICSI in veterinary medicine, or for the creation of transgenic animals.

- Made with a blunt opening
- Large number of choices of inner diameter (Choose I.D. from 5 $\mu$ m to 20 $\mu$ m)
- Bend is 6mm from the tip
- Research tool; can be ordered sterile or non-sterile



| Ref. No. | I.D. |
|----------|------|
|----------|------|

### Piezo Drill Microtools (10 per box)

|                |                                   |
|----------------|-----------------------------------|
| PIEZO-(I.D.)-0 | Specify I.D. from 5 to 20 $\mu$ m |
|----------------|-----------------------------------|

|                 |                                   |
|-----------------|-----------------------------------|
| PIEZO-(I.D.)-15 | Specify I.D. from 5 to 20 $\mu$ m |
|-----------------|-----------------------------------|

|                 |                                   |
|-----------------|-----------------------------------|
| PIEZO-(I.D.)-25 | Specify I.D. from 5 to 20 $\mu$ m |
|-----------------|-----------------------------------|

# ORIGIO sales companies

## EUROPE

### Denmark: Headquarters

ORIGIO a/s  
Knardrupvej 2  
2760 Måløv  
Phone: +45 4679 0200  
Customer Service: +45 4679 0202  
customer.service@origio.com

### France

ORIGIO France S.a.r.l.  
93, rue des Chantiers  
78000 Versailles  
Phone: +33 (0)1 30 97 48 00  
contact-france@origio.com

### Germany

ORIGIO GmbH  
Phone: +49 30 8573 0150  
info@origio.com  
www.origiogmbh.de

### Italy

ORIGIO ITALIA S.R.L.  
Via Luca Giordano 7/B  
50132 Firenze  
Phone: +39 055 571476  
origioitalia@origio.com

### Netherlands

ORIGIO Benelux B.V.  
Voorstraat 5  
3633BA Vreeland  
Phone: +31 (0) 294 267126  
salesbx@origio.com

### Russia

ORIGIO LLC  
Business Center Technopolis  
Pulkovskoye sh. 40/4 liter A  
Saint Petersburg 196158  
Phone: +7 812 3180290  
info-ru@origio.com  
www.origio.ru

### Spain

ORIGIO MediCult España S.L.  
C/ Plató  
08021 Barcelona  
Phone: +34 93 199 81 18  
barcelona@origio.com

### United Kingdom

ORIGIO Ltd.  
Phone: +44 1737 243869  
customerservice.uk@origio.com

ORIGIO is headquartered in Denmark and has sales representations all over the world.  
Find your local distributor on our website: [www.origio.com](http://www.origio.com)

## NORTH AMERICA

### USA

ORIGIO, Inc.  
Cooper Surgical  
95 Corporate Drive  
Trumbull, CT 06611

#### **Customer Service:**

Telephone: (800) 648-1151 (select option 3)  
Order Email: [orders@origio.us.com](mailto:orders@origio.us.com)  
Customer Service Email:  
[origioocs@origio.us.com](mailto:origioocs@origio.us.com)

#### **Equipment Service & Repair Team - Technical Support**

Telephone: (800) 444-8456  
Service Email: [service@origio.us.com](mailto:service@origio.us.com)

## AUSTRALIA

ORIGIO AUSTRALASIA Pty Ltd.  
Unit 31  
7 Sefton Road  
Thornleigh, 2120  
NSW, Australia  
Phone: +61 2 9481 9596  
[customerservice.au@origio.com](mailto:customerservice.au@origio.com)

## ASIA

### China

ORIGIO Biotech (Shanghai) Co., Ltd.  
Suite 1201-1205 Kaidi Financial Plaza  
1088 Xiangyin Road  
200433  
Shanghai  
Phone: +86 (021) 656 37021  
[infochina@origio.com](mailto:infochina@origio.com)

### Japan

ORIGIO Japan K.K.  
Miyake Building 902-2,  
Shinanomachi 549-2, Totsuka-ku,  
Yokohama City, Kanagawa-ken  
Phone: +81-(0)45-820-4620  
[kkakumoto@origio.com](mailto:kkakumoto@origio.com)

## INDIA

ORIGIO India Private Limited  
C - 401, Delphi, Hiranandani Business Park  
Powai, Mumbai 400 076  
Phone: +91 22 4928 0000  
[indiasales@origio.com](mailto:indiasales@origio.com)  
[www.origio.in](http://www.origio.in)



More than 200,000 babies per year are  
born using ORIGIO's products



# Notes

---

# Index

## ART Media

|                                       |               |
|---------------------------------------|---------------|
| Acidified Tyrodes Solution            | p. 37         |
| Biopsy Medium                         | p. 38         |
| BlastFreeze™                          | p. 52         |
| BlastGen™                             | p. 35         |
| BlastThaw™                            | p. 53         |
| CryoSperm™                            | p. 48         |
| <b>CSC Media</b>                      | <b>p. 99</b>  |
| Embryo Freezing Pack                  | p. 50         |
| EmbryoGen®                            | p. 35         |
| Embryo Thawing Pack                   | p. 51         |
| Flushing Medium                       | p. 17         |
| <b>Human Albumin</b>                  | <b>p. 98</b>  |
| <b>Hyaluronidase</b>                  | <b>p. 103</b> |
| ICSI Cumulase®                        | p. 23         |
| <b>In Vitro Maturation Media</b>      | <b>p. 96</b>  |
| Liquid Paraffin                       | p. 36         |
| <b>Oil for Tissue Culture</b>         | <b>p. 104</b> |
| ORIGIO® Sequential Series™            | p. 34         |
| QA Blastocyst Freeze Kit              | p. 101        |
| QA Embryo Freeze Kit                  | p. 100        |
| QA Medium with HEPES                  | p. 105        |
| QA Sequential Culture Media           | p. 95         |
| QA SPS Serum Protein Substitute       | p. 98         |
| QA Sperm Freezing Medium              | p. 108        |
| QA Thaw Kit                           | p. 101        |
| Quinn's™ Sperm Washing Media          | p. 108        |
| Phosphate Buffered Saline (PBS)       | p. 104        |
| Polyvinylpyrrolidone (PVP)            | p. 103        |
| PureCeption™                          | p. 107        |
| PVP Clinical Grade                    | p. 9          |
| PVP Medium                            | p. 10         |
| <b>SAGE 1-Step™</b>                   | <b>p. 94</b>  |
| <b>SAGE Vitrification Kit</b>         | <b>p. 102</b> |
| <b>SAGE Vitrification Warming Kit</b> | <b>p. 102</b> |
| Sperm Freezing Medium                 | p. 49         |
| Sperm Preparation Medium              | p. 6          |
| SpermSlow™                            | p. 8          |
| SupraSperm™                           | p. 7          |
| SynVitto™ Flush                       | p. 16         |
| SynVitto™ Hyadase                     | p. 24         |
| MediCult™ IVM System                  | p. 39         |
| MediCult™ Vitrification Cooling       | p. 54         |
| MediCult™ Vitrification Warming       | p. 55         |
| Universal IVF Medium                  | p. 22         |
| UTM™                                  | p. 60         |

## Cell handling microtools & other ART devices

|                              |       |
|------------------------------|-------|
| Assisted Hatching Micropipet | p.40  |
| Biopsy Micropipets           | p.42  |
| Cryopette®                   | p.56  |
| Denuding Micropipets         | p.30  |
| ICSI Micropipets             | p.25  |
| HBA® slide                   | p.11  |
| Holding Micropipets          | p.28  |
| Makler® Chamber              | p.13  |
| McGill Cryoleaf™             | p.57  |
| Pasteur Pipets               | p.46  |
| PICSI® for Sperm Selection   | p.12  |
| Piezo Drill                  | p.109 |
| PZD Micropipets              | p.41  |
| The STRIPPER®                | p.31  |

## Needles & Catheters

|                                    |      |
|------------------------------------|------|
| IUI catheters                      | p.14 |
| EchoGen™ Embryo Transfer Catheters | p.64 |
| Single & Double Lumen Needles      | p.18 |
| Transem Embryo Transfer Catheters  | p.61 |

## Equipment

|   |      |
|---|------|
| Anti Vibration Table                    | p.80 |
| CASA: CEROS™ II                         | p.82 |
| CASA: IVOS® II                          | p.81 |
| Fortuna-IVF Workstation                 | p.68 |
| Gas analyzer                            | p.89 |
| Glass incubator hoods                   | p.74 |
| Heated Glass Stage HG37                 | p.72 |
| Heated Trolley HT37                     | p.65 |
| LAF Hoods                               | p.78 |
| LED Light Source                        | p.73 |
| LYKOS™ Laser                            | p.89 |
| Mars-IVF Class II Biosafety Workstation | p.70 |
| Matcher®                                | p.91 |
| Microscopes and Micromanipulators       | p.74 |
| ORIGIO® Gas Line Filter                 | p.86 |
| ORIGIO / PLANER Benchtop Incubator BT37 | p.83 |
| Scanfuge Centrifuges                    | p.87 |
| Suction Pump                            | p.64 |
| Titan-IVF Workstation                   | p.67 |
| Warming blocks                          | p.74 |
| Warming Plates WP37                     | p.66 |
| ZILOS-tk® Laser                         | p.90 |

Please note that all SAGE™ product are listed here in dark blue.

### Trademark Notices

ORIGIO is a registered trademark of ORIGIO a/s.

The following trademarks are registered by ORIGIO a/s: SynVitto (Europe).

The following trademarks are registered by CooperSurgical, Inc.: SAGE (U.S.A.), C-SAGE logo (U.S.A.), Quinn's Advantage (U.S.A.), Quinn's (U.S.A., Germany, Europe).

## ORIGIO Training & Education

- **Science led and evidence based**
- **Available globally**
- **Optimizes your performance**

Since March 2011, ORIGIO has provided hands-on training and education in its dedicated training laboratory and seminar room at corporate headquarters in Måløv, Denmark. The lab is fully equipped to support demonstrations of, and hands-on training in, a comprehensive range of Assisted Reproductive Technologies. ORIGIO focuses on providing non-commercial training (rather than product targeted demonstrations) by skilled, experienced embryologists including invited experts in specific topics, including vitrification, sperm selection, and embryo biopsy.

ORIGIO's existing courses have always experienced high demand with embryologists attending from across the globe to receive training both in general embryology and in specific ART procedures. Feedback from participating embryologists has been extremely positive with comments such as 'highly professional', 'inspirational', and 'fantastic hands-on lab'. Participants also appreciate the opportunity to network with peers in other countries. A new development is the range of workshops aimed

at more senior embryologists. These tackle topics such as Culture Media, Laboratory Design & Start Up, and Quality Control.

Of course, ORIGIO recognises that it is sometimes preferable to provide training more locally and has supported the establishment of several regional training facilities, including India, Japan and Russia. In addition, ORIGIO embryologists provide support for local seminars and workshops.

The ORIGIO team of experienced embryologists also assists customers with the establishment of clinics (turn-key projects), laboratory design, and clinic audits to optimise lab performance, as well as giving lectures, performing workshops, and supporting the research and development of innovative new products.

Please contact your local ORIGIO sales representative for more information on how you could benefit from ORIGIO's training and education offer.





## Ordering

For ordering information please visit [origio.com](http://origio.com) to find your local distributor

## ORIGIO history

The company was founded in Denmark in 1987 under the name MediCult. Its innovative approach quickly positioned it as one of the leaders in the global IVF Media market.

This success enabled the acquisition of other IVF companies, each a leader in its own area of the ART market. In 2007 and 2008 the range grew with the addition of high-quality glass pipets from Humagen Fertility Diagnostics, as well as IVF equipment and devices including the STRIPPER<sup>®</sup>, from MidAtlantic Diagnostics. The company had now become a true ART player and a new name had to be found. ORIGIO was born.

Two additional acquisitions in 2010-11 supplemented the product platform with a brand new IVF equipment range and a range of oocyte retrieval needles and embryo transfer catheters. In June 2012, ORIGIO was acquired by The Cooper Companies, Inc. operated through the business unit CooperSurgical. CooperSurgical, a leader in women's healthcare products, shares the vision of delivering life-changing products to health care professionals.

Cooper Companies is listed on the New York Stock Exchange.

These icons appear throughout the catalog to help you navigate.



Andrology & IUI  
Page 3 - 14



Oocyte retrieval  
Page 15 - 20



Fertilization  
Page 21 - 32



Culture  
Page 33 - 46



Cryopreservation  
Page 47 - 57



Embryo transfer  
Page 58 - 62

Equipment  
Page 63 - 91

SAGE<sup>™</sup>  
Page 92 - 108

Research Tools  
Page 109

---

## [www.origio.com](http://www.origio.com)

- Download a certificate of analysis for the results of each batch
  - Download the latest instruction for use
  - Find your local distributor's contact information
-

ORIGIO has been a world leader in Assisted Reproductive Technology (ART) solutions since 1987. Through research and innovation, ORIGIO aims at offering cutting-edge products and services to ART professionals during every step of the IVF process. Together with our customers, we help the #1 dream of every infertile couple come true.

ORIGIO employs approximately 400 people worldwide, is headquartered in Denmark, and markets its products in more than 100 countries.

ORIGIO is a CooperSurgical Company. Learn more at [www.origio.com](http://www.origio.com).



origio

a CooperSurgical Company

ORIGIO a/s • Knardrupvej 2 • 2760 Måløv • Denmark • [www.origio.com](http://www.origio.com)